

PRO^M

GRIND ON DEMAND

Operating Instructions



CONTENT

Prior to using the grinder	3
Scope of supply	3
For Your Safety	3
Symbols	3
Safety warnings	3
Explanation of symbols	5
Appropriate Use	5
Operating parts	5
Preparation	6
Assembling the grinder	6
Mounting the hopper	6
Attaching the residue tray	6
Adjusting the port-a-filter holder	6
Inserting the port-a-filter holder	6
Removing the port-a-filter holder	7
Operation	7
Setting the grinding time	7
Setting the fineness of the grind	7
Start grinding	8
Grinding large quantities	8
Special functions	8
Double grinding time / Double shot	8
Break function	8
Safety devices	8
Cleaning	9
Cleaning with GRINDZ™ grinder cleaner	9
Cleaning the grinder's surfaces and housing	9
Cleaning the hopper	9
Disposal of the grinder	10
Technical data	11
Troubleshooting	11

PRIOR TO USING THE GRINDER

After unpacking as well as prior to each use, check if the grinder or the power cord show any signs of damage. If there is damage, do not use the grinder, but instead notify your dealer.

These Operating Instructions comply with valid EU standards and regulations. Also observe country-specific guidelines and laws outside Germany!



Please read through the safety instructions and Operating Instructions carefully prior to initial use. This is the only way to ensure that all features are used safely and reliably. Store these Operating Instructions in a safe place and also pass it on to any subsequent owner.

ATTENTION: MAHLKÖNIG test runs each grinder with coffee to ensure an optimal grinding performance. This is why you may find ground coffee residue in the grinding mechanism!

SCOPE OF SUPPLY

- Coffee grinder
- Hopper with lid
- Operating Instructions

The following parts are located in the hopper:

- Grounds bin
- Port-a-filter holder
- Residue tray
- Screw driver
- Cleaner brush

Check if the shipment is complete and undamaged. If a part is missing or defective, please contact your dealer.

FOR YOUR SAFETY

SYMBOLS

DANGER SEVERE RISK!



Failure to observe this warning can lead to physical injury or death.

ATTENTION MEDIUM LEVEL OF RISK!



Failure to observe this warning may cause material damage.

TAKE CARE SLIGHT RISK!



Instructions which should be observed when using the grinder.

SAFETY WARNINGS

DANGER Hazardous voltage!



Faulty electrical installation or excessive line voltage may result in an electric shock.

- Only use the grinder if the line voltage matches the specifications on the nameplate.
- Regularly check the grinder and cables for damage. Do not operate the grinder if it is damaged or the power cable or the plug are damaged.
- If the power cable of this grinder is damaged, it must be replaced by the manufacturer or its customer service or a person having similar qualifications in order to avoid risks.
- Connect the grinder only to a correctly grounded power outlet. If you are unsure, because it can be seen that the earthing contacts or the power outlet have, for instance, been painted over, in the interests of your own safety have the power outlet checked by a qualified professional.
- Do not open the casing yourself; only allow the repair to be done by authorized specialists. Contact an authorized customer service

workshop or your dealer in such cases. Warranty and liability claims are excluded in the event of damage resulting from repairs you carry out yourself, improper connection or incorrect operation.

- In the event of repairs, only parts may be used which correspond to the original specifications for the grinder. This grinder contains electrical and mechanical parts that are essential for protection against dangers.
- Do not place the grinder itself or the power cable or plug in water.
- Never handle the plug with damp hands.
- Keep the grinder, the power plug and the power cable away from open fire or hot surfaces.
- Use the grinder only in dry interior areas. Never use it in damp areas or in the rain.
- Never operate or store the grinder in such a way that it could fall into a sink or a wash basin.
- Never handle an electric appliance if it falls into water. In such cases, pull out the power plug.
- When you are not using the grinder, are cleaning it, or a fault develops, always pull out the plug from the power socket.
- Never use the power cable to carry the grinder.
- Before you clean the grinder or remove or insert the hopper set the power switch to "0" and pull out the power plug.
- Make sure that an appliance no longer being used does not work any more: Pull the power plug out of the socket and cut through the power cable.

DANGER DANGER for children and other people!



Children often do not recognize dangers or underestimate them.

- This grinder is not intended for use by people (including children) with restricted physical, sensory, or intellectual abilities or lack of experience and/or lack of knowledge, unless they are supervised by a person responsible for their safety or received instructions from this person about how to operate the grinder.
- Keep the packing container or materials away from babies and small children. There is a risk of suffocation!
- Supervise children and store the grinder out of their reach in order to be certain that they do not play with it.

TAKE CARE Risk of damage resulting from improper use!



Incorrect use of the grinder can result in damage.

- Never exceed the maximum permissible operating time.

Espresso grinding:

The grinder must cool down for 24 seconds after a 6 second grinding phase. Do not grind more than one dose of espresso in 30 seconds.

Filter grinding:

The maximum permissible grinding time is 30 seconds. After this grinding procedure the grinder must cool off for 2 minutes.

- Set the grind level finer only when the grinder is in operation or when there are no beans in the grinder.
- Never expose the grinder to high temperatures (heating, etc.) or the effects of weather (rain, etc.).

- Do not allow any foreign objects to fall into the grinder.
- Place the grinder only on an even, stable and firm surface.

EXPLANATION OF SYMBOLS

You will see the following symbols on the grinder:



Suitable for use with food



Instructions for disposing of old appliances (see page 21).

APPROPRIATE USE

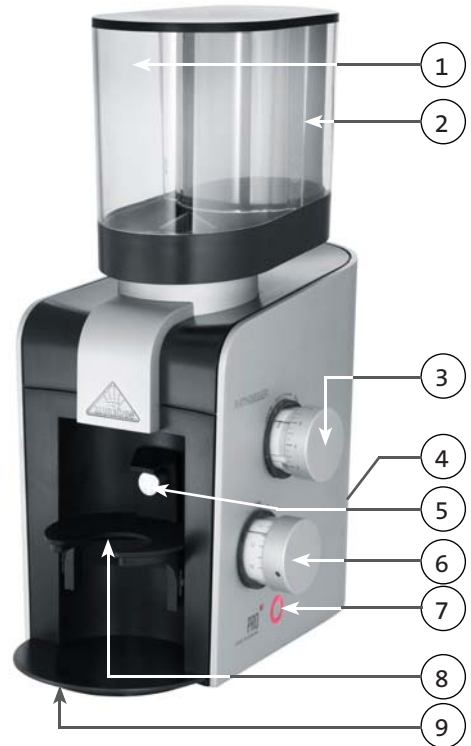
Only roasted whole coffee beans may be ground with this grinder. Never grind grain or other products with the grinder, as otherwise severe damage to the grinder can result.

The grinder is appropriate for both private and commercial use. In commercial use the prevailing trade regulations must be conformed to.

Use the grinder only as described in these operating instructions. Any other use is improper and can lead to damage or even to injury to persons.

The manufacturer does not assume liability for damage resulting from improper use.

OPERATING PARTS



1. Hopper with lid
2. Grounds bin (within hopper)
3. Button for grind adjustment
4. On/Off switch (on rear of grinder)
5. Start/Stop button
6. Adjustment button for grinding time
7. Indicator lamp
8. Port-a-filter holder
9. Residue tray

HORECA GRINDER

PREPARATION

1. Remove all the parts from the hopper.
2. Turn the hopper slightly anticlockwise and remove it.
3. Wash out the hopper (pos. 1) and the grounds bin (pos. 2) with water. After this carefully dry the parts.

ASSEMBLING THE GRINDER
MOUNTING THE HOPPER

1. Place the hopper, as illustrated above, on the bayonet seal of the grinder. Then turn the hopper to the right until it snaps into place.
2. Fasten the headless screw to lock the hopper
3. Fill the hopper with roasted whole coffee beans.

ATTACHING THE RESIDUE TRAY

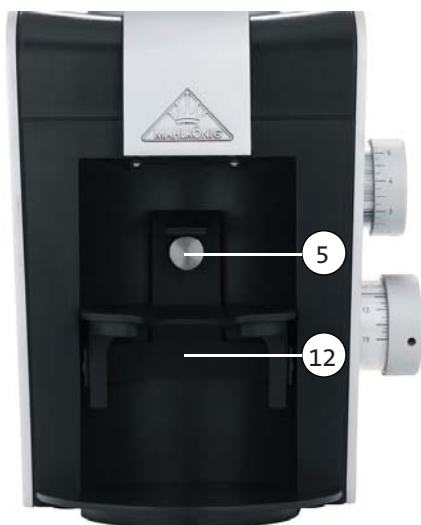
- Tilt the grinder slightly forward and insert the residue tray (pos. 9).

ADJUSTING THE PORT-A-FILTER HOLDER

The port-a-filter holder can be adjusted to all current port-a-filter sizes.



1. Loosen the two screws (pos. 10) with the screw driver supplied.
2. Set the distance (pos. 11) so that the port-a-filter sits horizontally in the holder.
3. Tighten the two screws (pos. 10) again.

INSERTING THE PORT-A-FILTER HOLDER

1. Insert the port-a-filter holder as shown past the Start/Stop button (pos. 5) and hold it in this position.
2. Slide the holder in at the position (pos. 12) until it engages.

3. Insert the port-a-filter as a reference. If the port-a-filter does not stay in the desired position, the holder must be readjusted.

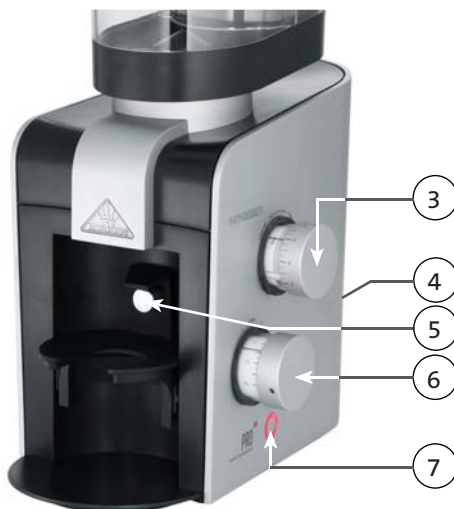
REMOVING THE PORT-A-FILTER HOLDER



- Press the holder gently together as shown above than pull it forward from below.

OPERATION

SETTING THE GRINDING TIME



The grinding time depends not only on the desired quantity of ground coffee, but also on the fineness of the grind. Work out the optimal setting by means of repeated trials.

Set the desired grinding time with the button (pos. 6).

SETTING THE FINENESS OF THE GRIND

DANGER Risk of damage resulting from improper use!



- Adjust the fineness of the grind only when the grinder is in operation or when there are no beans in the grinder.

Set the degree of fineness using the button (pos. 3).

fine = fine grind

medium = medium grind

coarse = coarse grind

START GRINDING**Requirements:**

The hopper is filled with whole coffee beans and the grind time and fineness are set.

1. Switch on the coffee grinder with the mains switch (pos. 4) (rear side of the grinder). The indicator lamp (pos. 7) lights up.
2. Place the port-a-filter of your espresso machine in the port-a-filter holder. Grinding begins automatically.

GRINDING LARGE QUANTITIES

1. If you want to grind larger amounts of coffee, use the grounds bin located in the hopper to catch the ground coffee.
2. Remove the port-a-filter holder as shown on page 18.
3. Set the desired grinding time with the button (pos. 6).
4. Insert the grounds bin far enough under the spout to push the start/stop button (pos. 6) to trigger the grinding operation.

SPECIAL FUNCTIONS**DOUBLE GRINDING TIME / DOUBLE SHOT**

Your coffee grinder is equipped with an automatic function for grinding coffee e.g. for a double espresso in one step

1. Briefly press the port-a-filter once against the start/stop button (pos. 5). The indicator lamp (pos. 7) blinks, showing that the double shot function is switched on.
2. Now push the port-a-filter into the port-a-filter holder. Grinding of a double quantity begins automatically. This function can also be used for filter and French Press grinding.

Switching Off The Function

- After grinding, the function is automatically switched off again.

OR:

- Briefly press the start/stop button again. The indicator lamp stops blinking.

BREAK-FUNCTION

With the break function you can interrupt the grinding process (for instance to press down the espresso powder partway through).

1. Remove the port-a-filter holder / grounds bin during grinding. Grinding stops and the indicator lamp blinks.
2. To continue grinding push the port-a-filter back into the port-a-filter holder or place the grounds bin under the spout again.

If you do not wish to continue grinding after break, tap quickly on the start/stop button (pos. 5).

SAFETY DEVICES

Your coffee grinder is equipped with a variety of safety devices which protect the user and the grinder from harm.

Microswitch in the hopper mounting

This microswitch makes sure that the grinder does not start without a properly attached hopper.

Fuse

As a protection against external power surges the grinder is fitted with a fuse. The fuse is accessible from the footplate.

Protection through software

This safety device ensures that in the case of overload, blockage or running empty the grinder automatically switches off.

Grind chamber protection

There can still be tiny stones and grit even in the most select coffee varieties. For such foreign objects not causing any damage, the grinder is fitted with a safety device that stops the grinder in such cases.

The problem is dealt with in the following way:

1. Use the grind adjustment button (pos. 3) to set to maximum fineness.
2. Start the grinder. The grinder grinds itself free.
3. Start another grind and set the desired grind adjustment again.

If the problem is not solved with this method, please seek help from an authorized service partner.

CLEANING

Just as with your espresso or filter coffee machine, you should also clean your coffee grinder (if possible every week). In particular the grinder must be kept clean and free of deposits in order to guarantee the accuracy of every shot

CLEANING WITH GRINDZ™ GRINDER CLEANER

1. Empty the hopper completely.
2. Grind all coffee beans that are still in the grinder into the port-a-filter/ grounds bin.
3. Use button (pos. 3) to set the coarsest level of grind size.
4. Put the contents of a sachet or a cap full of GRINDZ™ grinder cleaner (35 - 40 g) into the hopper.
5. Grind the entire quantity of the grinder cleaner (2 - 3 double shots).
6. Clean the hopper and refill it with coffee beans.
7. Grind 2 - 3 double shots of coffee beans. Set the level of grind size back to the desired adjustment. With this, all remnants of the cleaning agent are removed and cleaning is complete.

Hint:

When GRINDZ™ grinder cleaner is ground the production of dust is normal and of no significance. Remove dust particles with a soft cloth.

CLEANING THE GRINDER'S SURFACES AND HOUSING**DANGER** DANGER of electric shock!

In combination with live parts water can lead to electric shocks or short circuits.

- Make sure that no liquid gets into the grinder.
- Switch the grinder off and pull out the plug before cleaning.

TAKE CARE Risk of damage

Incorrect cleaning can damage the sensitive surfaces of the housing.

- If possible, use only clear water without any cleaning agent. In the case of tenacious stains you can use mild soapy water.
 - Under no circumstances may strong cleaners, spirits, thinners, gasoline or similar substances be used for cleaning.
1. Remove ground coffee with the brush supplied.
 2. Clean flat surfaces and the housing regularly with a soft, slightly damp cloth.

CLEANING THE HOPPER

1. Empty the hopper before you remove it. Otherwise coffee beans fall out at the bottom.
2. Turn the hopper slightly anticlockwise and remove it.
3. Clean the hopper daily both internally and externally with a moist cloth. Coffee remains can negatively affect the taste.

TAKE CARE Risk of damage

Do not put either the hopper or the residue tray into a dishwasher. Otherwise the color of the synthetic material could change or it could bleach white.

DISPOSAL OF THE GRINDER

Old appliances must not be placed in household garbage!

Once an appliance can no longer be used every consumer is required by law to dispose of old appliances separately from household garbage, for example at a council/regional collection depot. In this way it is guaranteed that old appliances are disposed of appropriately and that negative effects on the environment are avoided.

For this reason, electrical appliances are marked with the symbol shown.

TECHNICAL DATA

Designation	ProM
Operating voltage	200-240V / 50/60Hz (e.g. Europe) or 100-115 V / 50/60 Hz (e.g. USA, Canada, Japan)
Speed	1650-1850 rpm
Grinding capacity at 200-240 V / 50/60 Hz 100-115 V / 50/60 Hz	1,9-8,7 g/s (fine to coarse) 1.3-7.5 g/s (fine to coarse)
Sound pressure level	60 dB when running empty 80 dB when grinding
maximum permitted operating time	S3 20% (e.g. 6s ON, 24s OFF).
Dimensions WxHxD in mm	162 x 370 x 270
Weight	6 kg
Capacity of the hopper	Approx. 260 g

TROUBLESHOOTING

The following information should help you deal with operational problems. If you are unsuccessful, please obtain the help of an authorized service partner.

Problem	Cause	Solution
The grinder does not start. The indicator lamp (pos. 7) does not light up.	The plug is not plugged in or there is no electricity supply to the power socket.	Insert the plug into the socket or plug the grinder into another socket.
	The fuse is blown.	<ol style="list-style-type: none"> 1. Pull out the plug. 2. Using the supplied screw driver screw out the bracket holding the fuse on the bottom of the grinder. 3. Replace the fuse with a new one of the type "T 1,8A L" (200-240V) or "F 2,5A L" (100-115V). 4. Screw the fuse bracket back in.
The grinder does not start or runs for only a short time. The indicator lamp (pos. 7) blinks.	The grind size is too fine.	<ol style="list-style-type: none"> 1. Use the adjustment button (pos. 3) to set to maximum grind size - coarse. 2. Clean the spout if necessary with a spoon handle. 3. Start a grind operation. The grinder grinds itself free. 4. Start another grind operation and set the desired level of grind size.

Problem	Cause	Solution
<p>The grinder does not start or runs for only a short time.</p> <p>The indicator lamp (pos. 7) blinks.</p>	<p>The grinder spout is blocked.</p>	<ol style="list-style-type: none"> 1. Clean the grinder spout with a spoon handle. 2. Use the adjustment button (pos. 3) to set to maximum grind size - coarse. 3. Start a grind operation. The grinder grinds itself free. 4. Start another grind operation and set the desired level of grind size.
	<p>There is a foreign object in the burrs.</p>	<ol style="list-style-type: none"> 1. Use the adjustment button (pos. 3) to set to maximum grind size - coarse. 2. Start a grind operation. The grinder grinds itself free. 3. In the event that the foreign object cannot be removed from the grinder in this way and continues to block the grinder, contact your dealer/service partner.
	<p>The hopper is not mounted correctly.</p>	<p>Correct the placement of the hopper (see page 17).</p>
	<p>The hopper is empty.</p>	<p>Fill it with roasted, whole coffee beans.</p>



NOTES



NOTES



NOTES

MAHLKÖNIG USA, Inc.

4416 Bennett Memorial Road

Suite 104

Durham, N.C. 27705, USA

Phone sales/orders +1 919-383-0761

Service/parts +1 831-438-9800

Fax +1 919-309-0658

info@mahlkoenig.com

www.mahlkoenig.com

May 2013

Subject to amendment!!

Manufacturer:

MAHLKÖNIG GmbH & Co. KG

Tilsiter Straße 142
D- 22047 Hamburg, Germany

Tel.: +49 (0)40 / 69 69 40-0

Fax: +49 (0)40 / 69 39 721

office@mahlkoenig.de ; www.mahlkoenig.de

