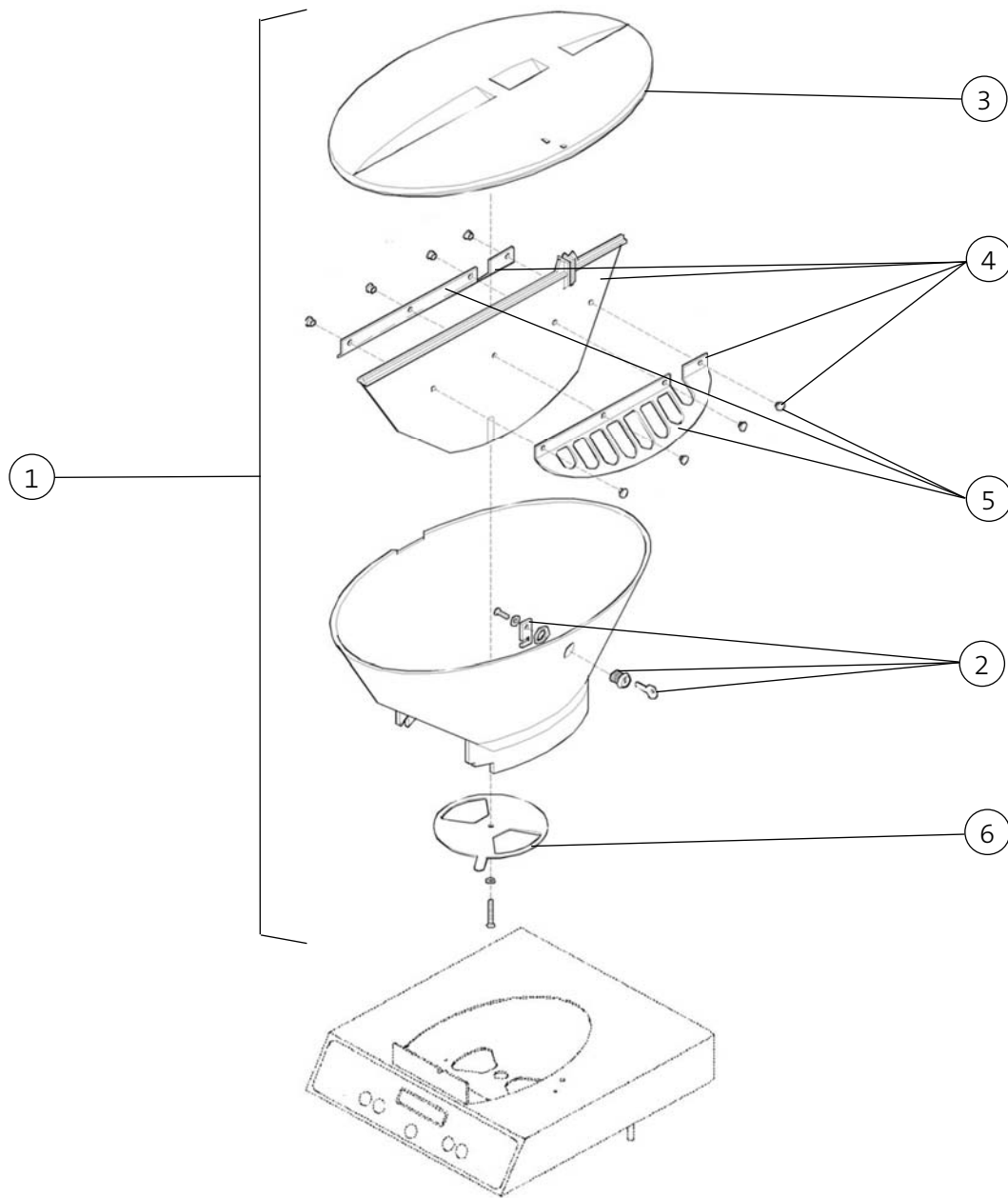


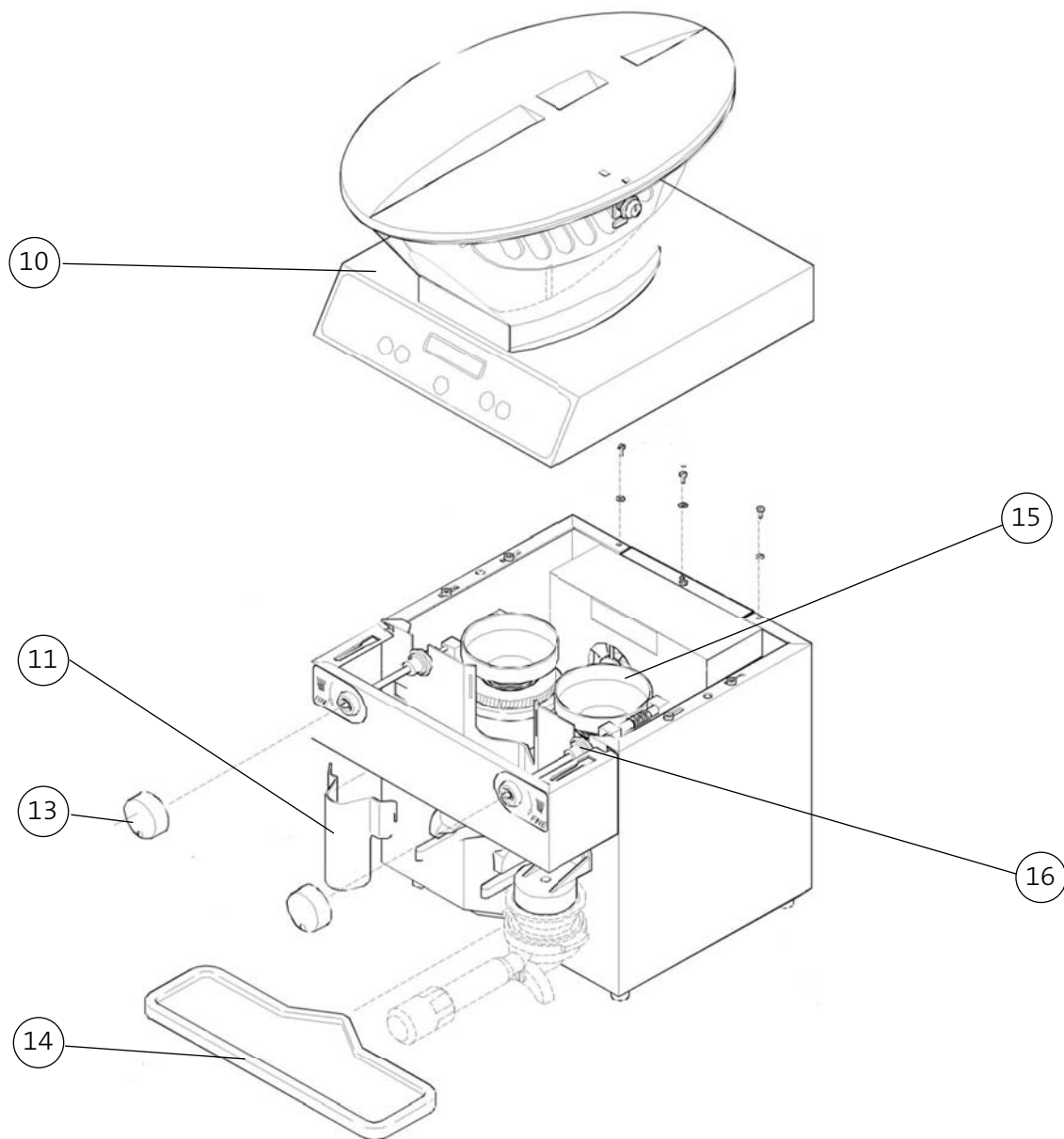
Valid from 1<sup>st</sup> July 2013  
Supersedes all previously issued spare parts lists

Subject to change without prior notice.



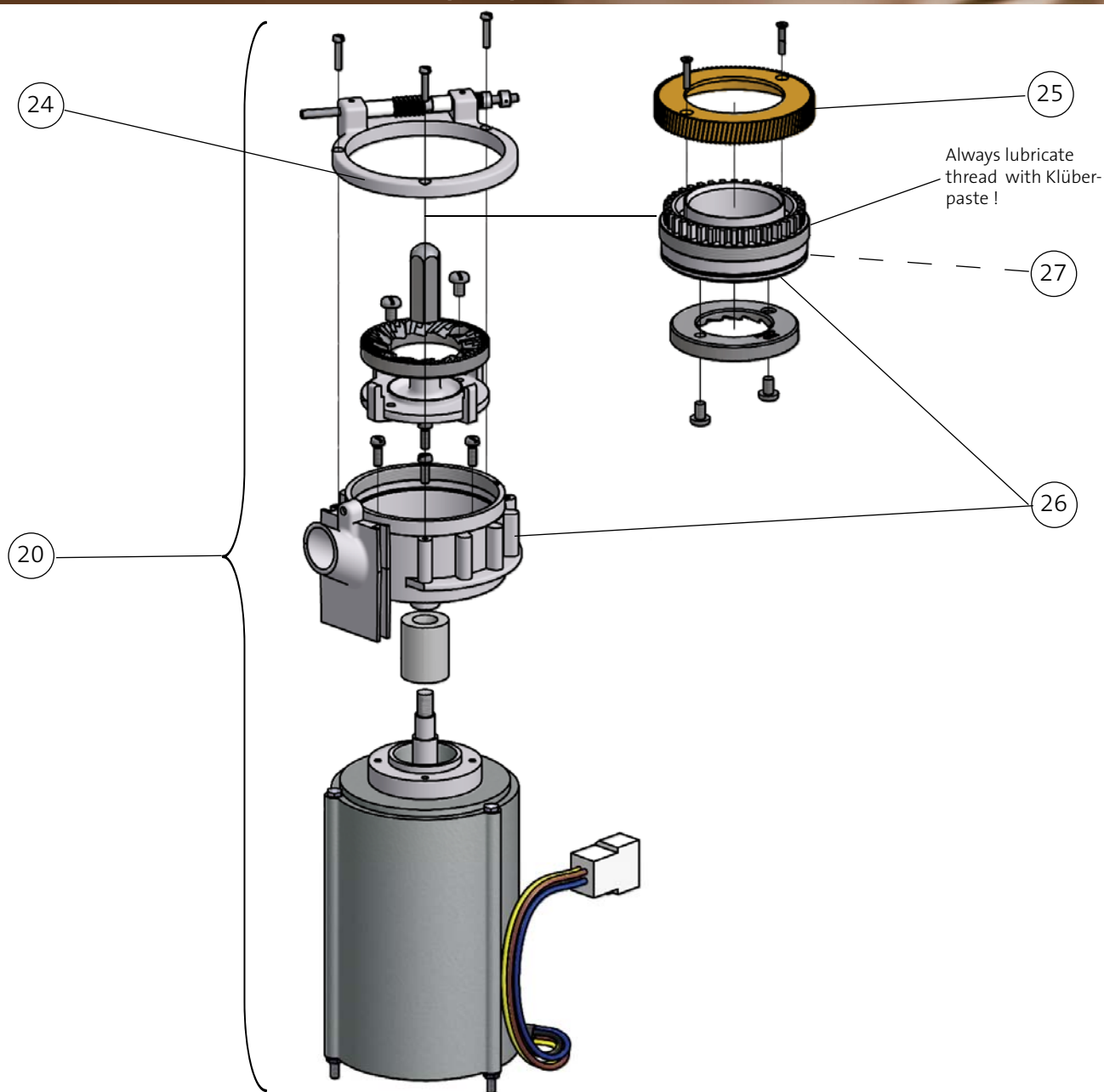
Model: K60 ES 200-240V 50/60Hz

ARTICLE NO.	DRAWING NO.	DESCRIPTION
300511	1	Hopper K60 ES complete with lid
302716	2	Lock/key for hopper K60 ES
300513	3	Lid for hopper K60 ES
101662	4	Dividing plate for hopper K60 ES complete with finger protection
310606	5	Finger protection K60 ES service pack
301151	6	Hopper slider K60 ES



Model: K60 ES 200-240V 50/60Hz

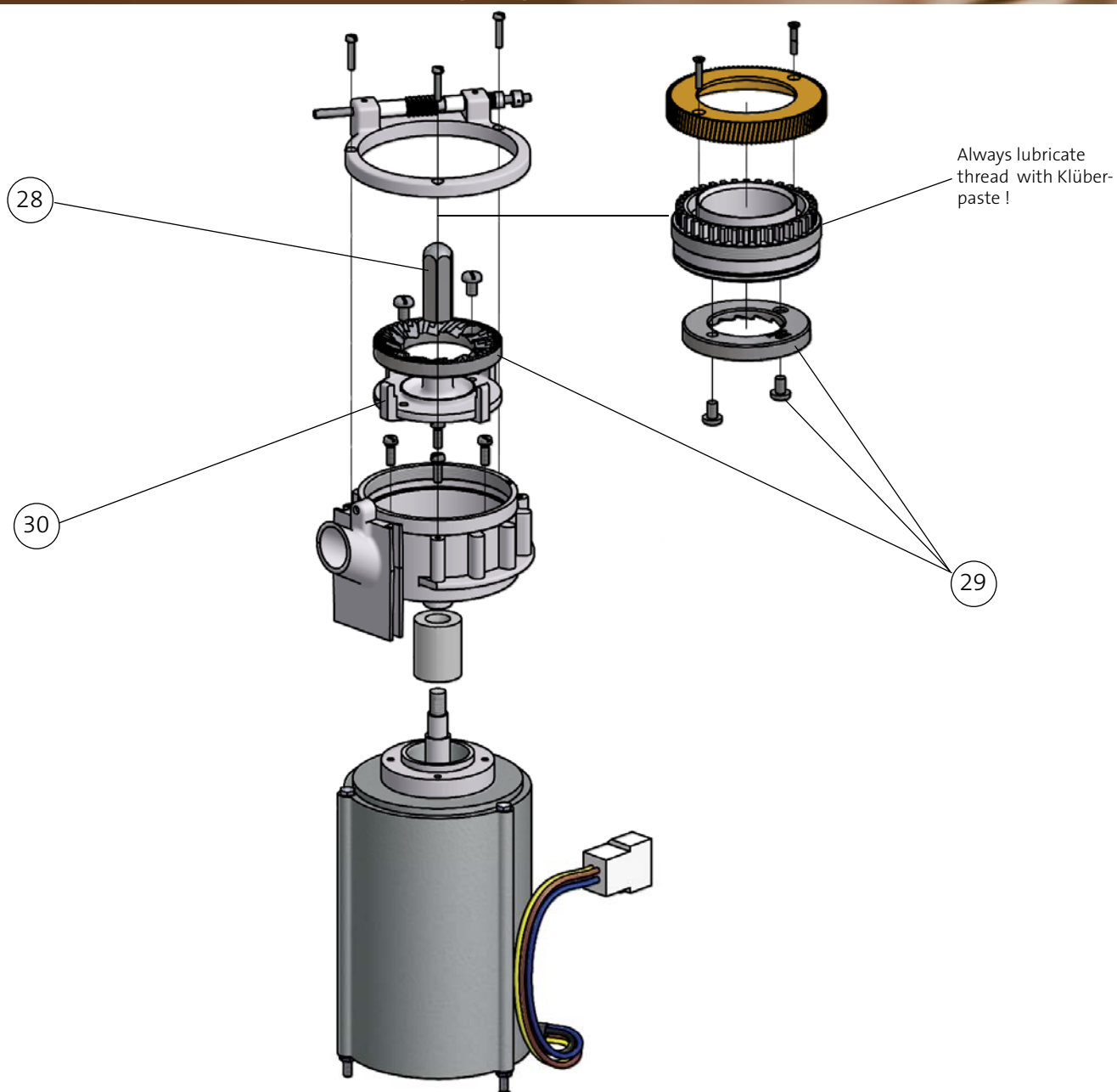
ARTICLE NO.	DRAWING NO.	DESCRIPTION
(301161)	(10)	Cover K60 ES without magnet contact (Mod.Lev.3 up to Serial no. 12657) not available anymore!!
309172	10	Cover K60 ES with magnet contact (Mod.Lev.5 from Serial no. 12658)
305307	11	Spout with chute K60 ES
310405	-	Spout seal
302800	13	Adjusting knob K60 ES grind adjustment
300514	14	Residue tray K60 ES
300515	15	Intermediate hopper K60 ES
302743	16	Rubber grommet d=27x18 mm



Model: K60 ES 200-240V 50/60Hz

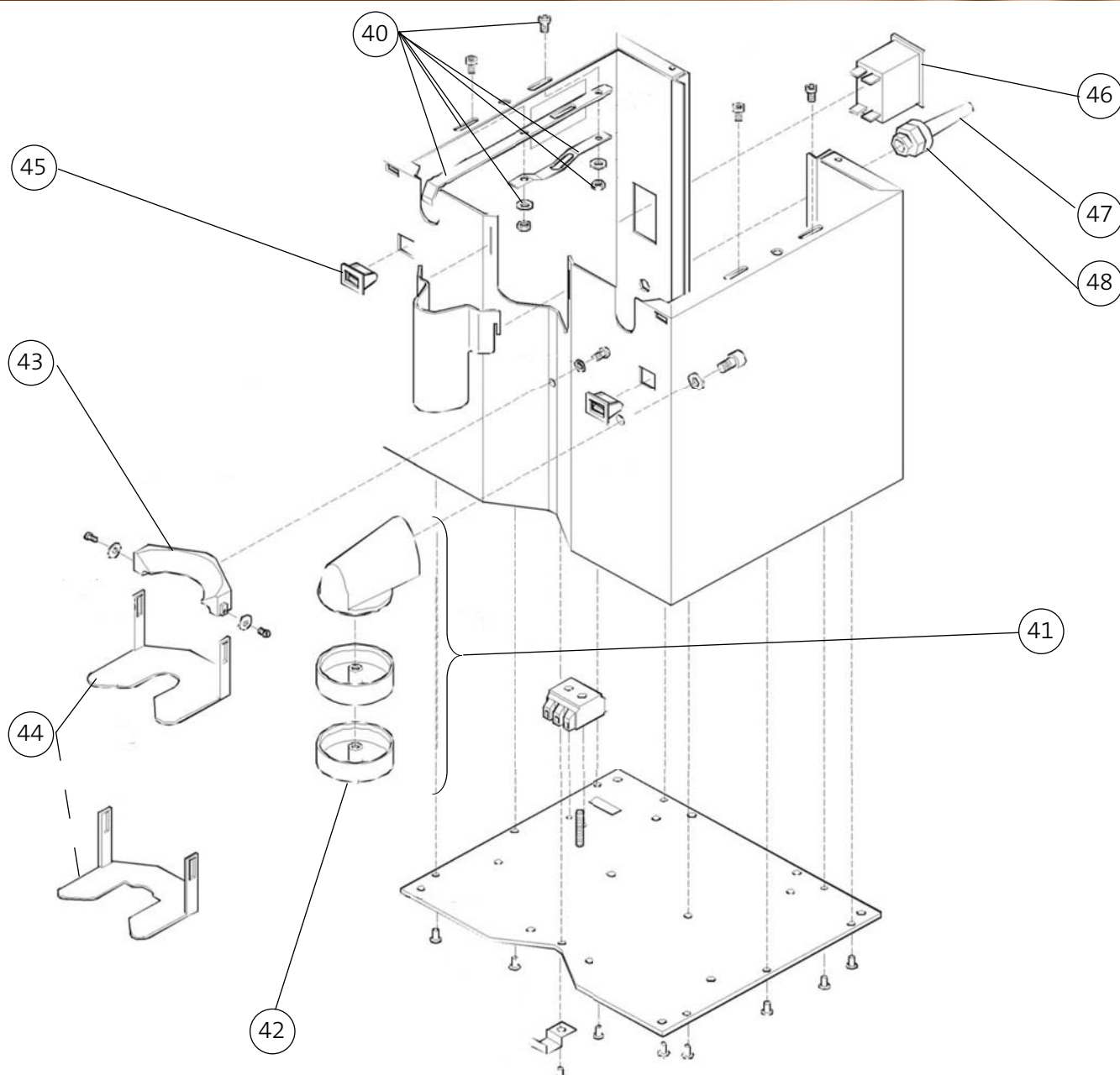
ARTICLE NO.	DRAWING NO.	DESCRIPTION
304206	20	EK10 built-in grinder left 200-240V / 50/60Hz
304204	(20)	EK10 built-in grinder right 200-240V / 50/60Hz
300980	-	Shaft, short
300979	-	Shaft, long
304755	-	Connector
310607	24	Connecting adapter left, service pack
310608	(24)	Connecting adapter right, service pack
308541	-	K60 ES Grind adjustment extension (until serial number 13713)
310609	25	Adjustment K60 ES toothed ring, service pack
310610	26	Grinding disc casing EK10, service pack
301005	27	O-ring 68 x 3 mm (until serial number 16509)





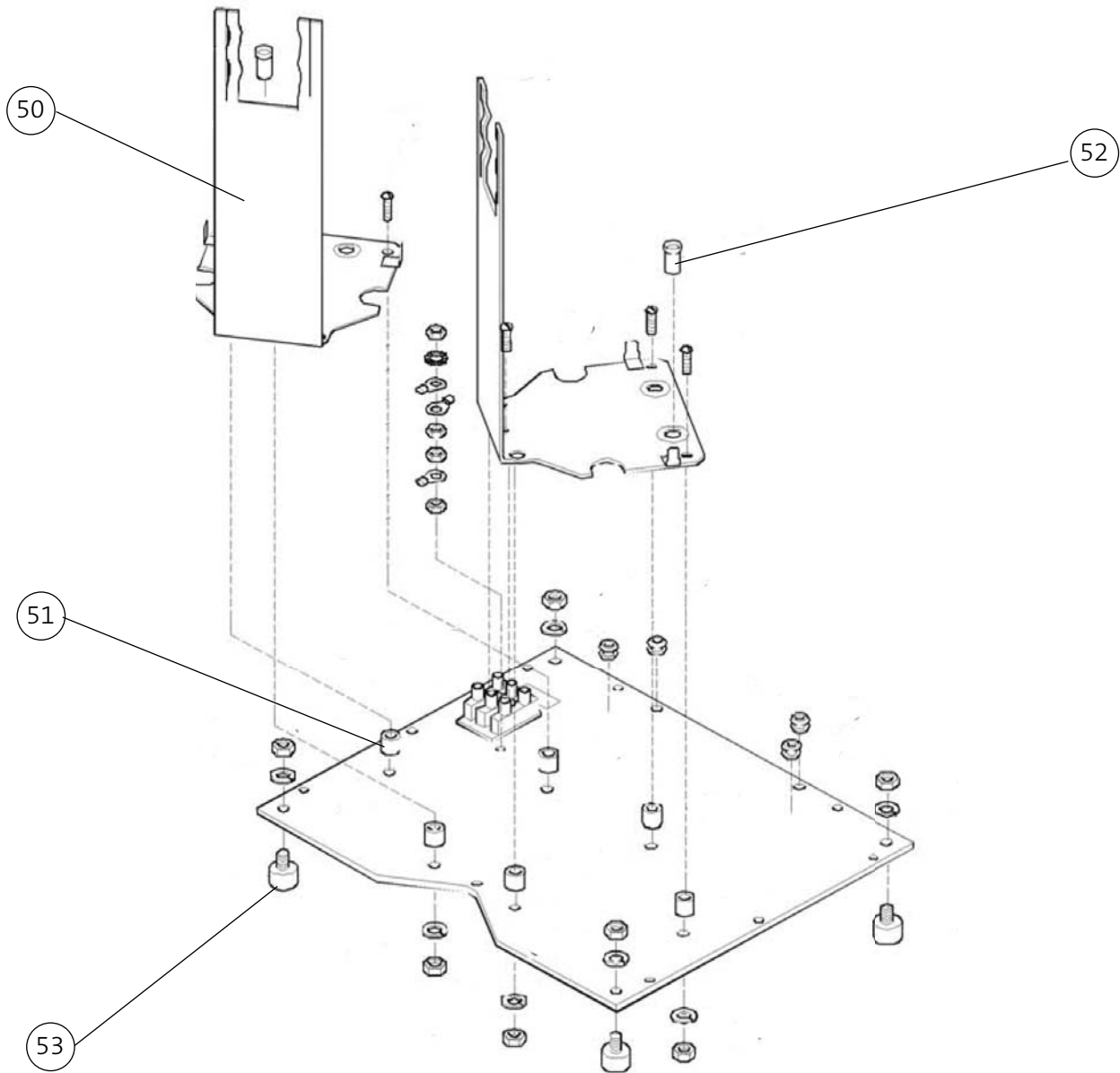
Model: K60 ES 200-240V 50/60Hz

ARTICLE NO.	DRAWING NO.	DESCRIPTION
301508	28	Head hexagon nut M8
304031	29	Grinding disc set EK10, service pack
306213	30	Grinding disc carrier rotary
309336	--	Klüberpaste lubricant tube of 60 gr



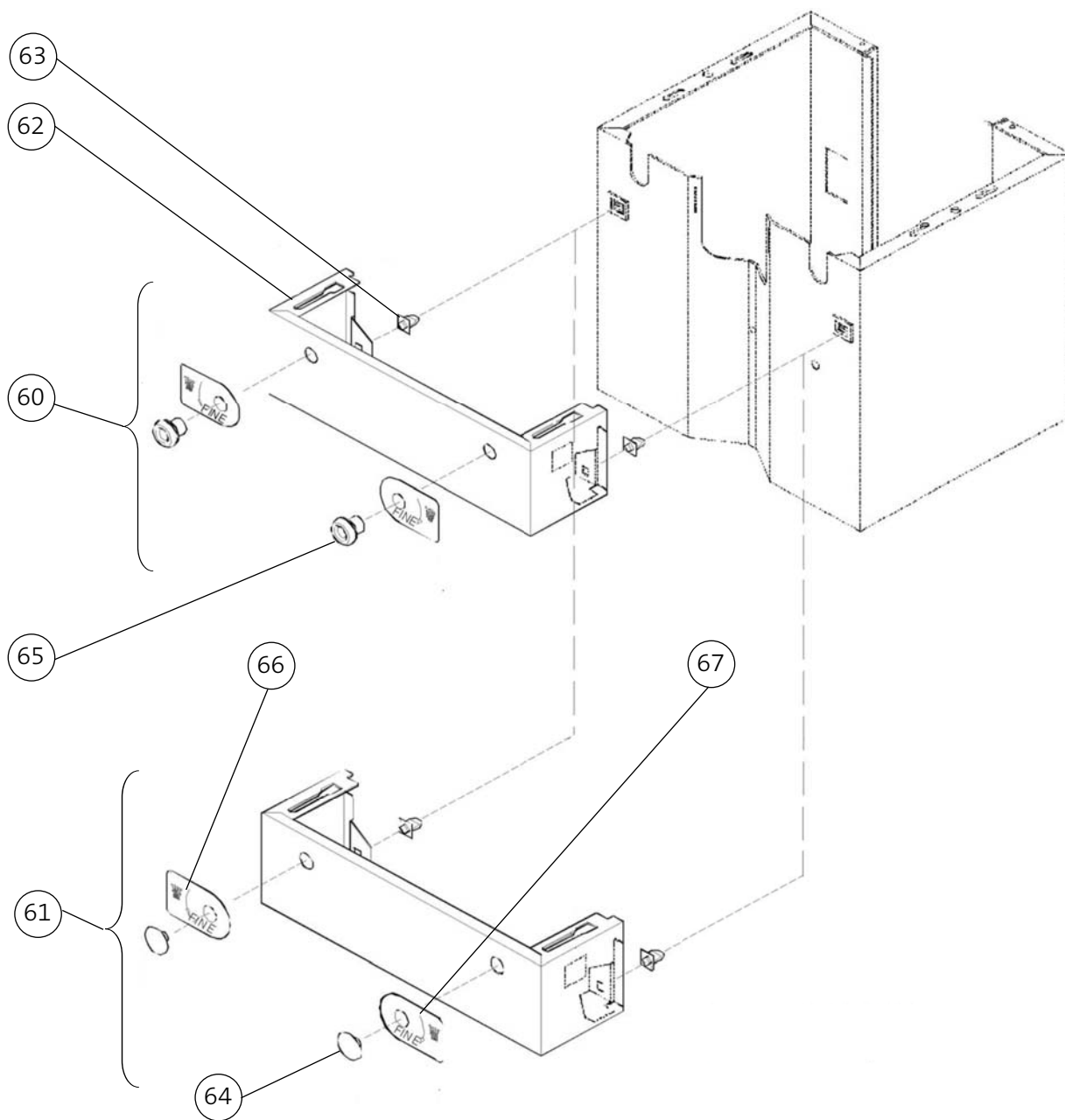
Model: K60 ES 200-240V 50/60Hz

ARTICLE NO.	DRAWING NO.	DESCRIPTION
310589	40	Locking slider K60 ES, service pack
309199	41	Tamper K60 ES complete with caps Ø55mm + Ø53mm
300185	42	Tamper cap K60 ES, Ø53mm
306668	42	Tamper cap K60 ES, Ø55mm
310612	43	Portafilter support K60 ES / DCII, service pack
310613	44	Portafilter rest round K60 ES, service pack
310615	(44)	Portafilter rest round, long arms, K60 ES, service pack
310616	(44)	Portafilter rest square, K60 ES, service pack
302714	45	Interlock black K60 ES
302394	46	Main switch 2-pole
302028	47	Power cord complete for K60 ES (CE)
304947	48	Cord Grip



**Model: K60 ES 200-240V 50/60Hz**

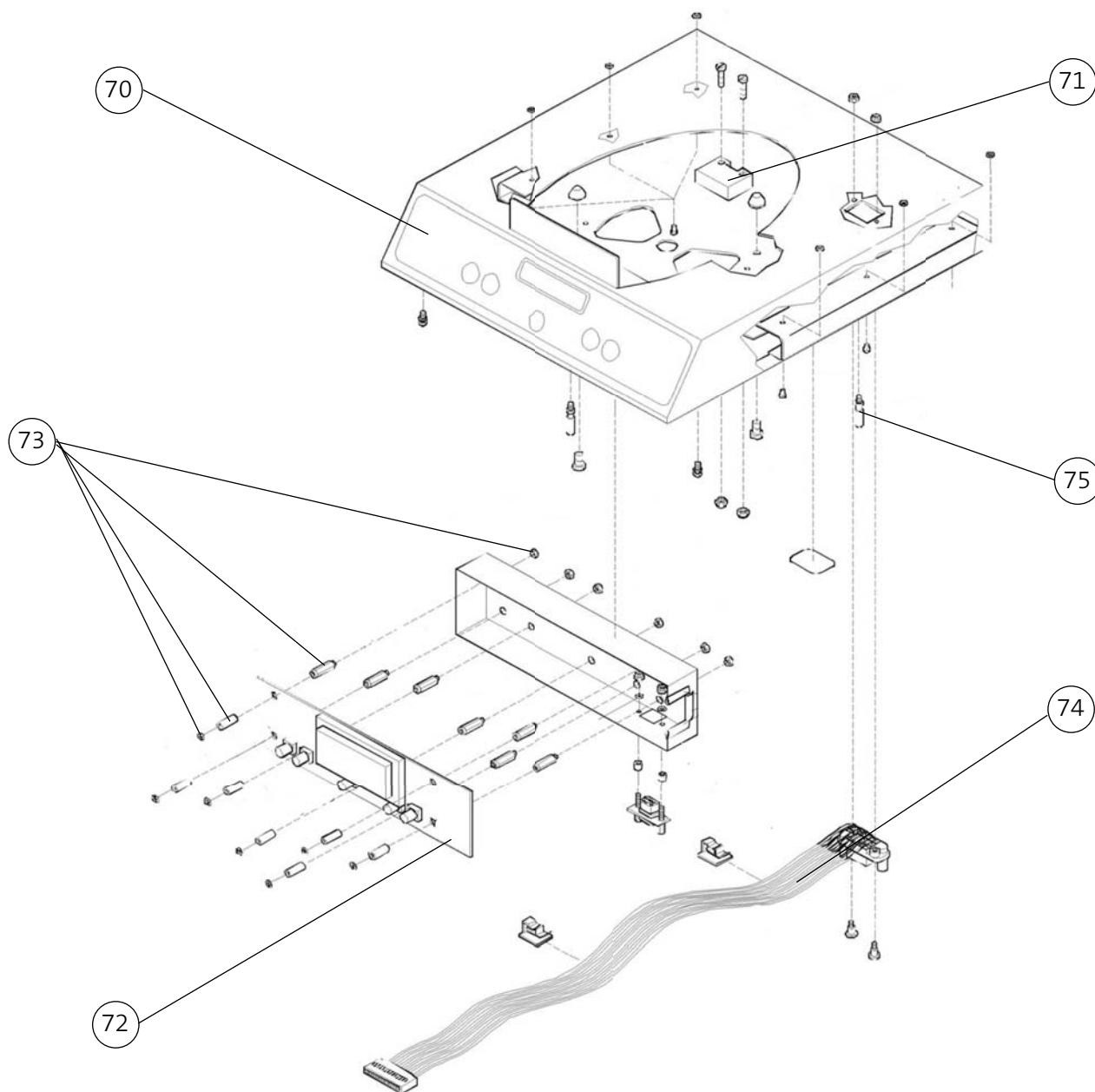
ARTICLE NO.	DRAWING NO.	DESCRIPTION
310590	50	Grinder supporting stand K60 ES left / right service pack
310617	51	Shock absorbers, pack of 6
310618	52	Guide K60 ES for built-in grinder feet, pack of 10
302744	53	Grinder foot 15x10/M4



**Model: K60 ES 200-240V 50/60Hz**

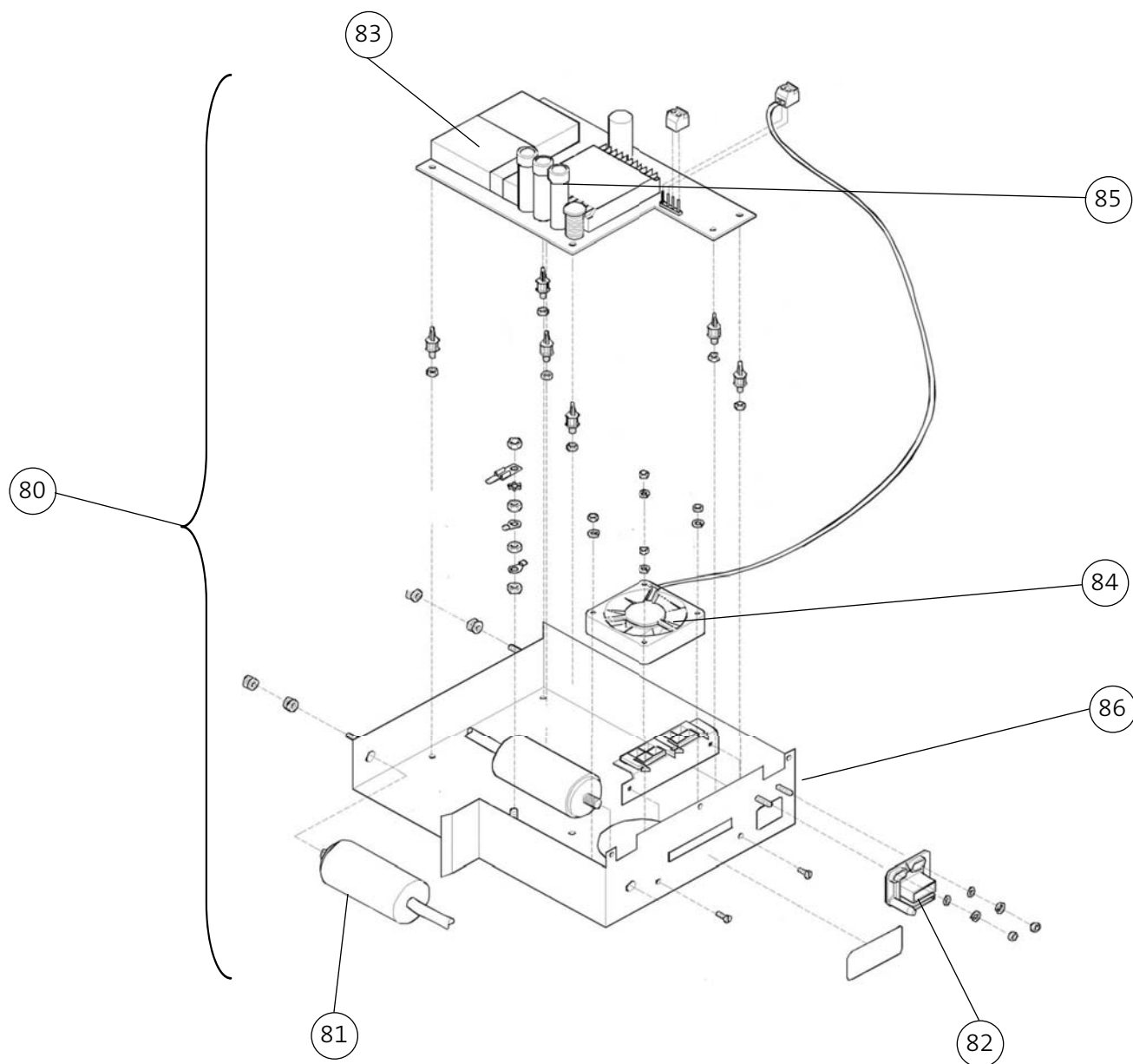
ARTICLE NO.	DRAWING NO.	DESCRIPTION
301178	60	Front plate K60 ES complete, long axis
301165	61	Front plate K60 ES complete, short axis with caps
301163	62	Front plate K60 ES
302713	63	Closing pin black K60 ES
300250	64	Blind cap for cover K60 ES short axis
302743	65	Rubber grommet d=27x18 mm
301949	66	Label Fine left, direction of rotation K60 ES
301950	67	Label Fine right, direction of rotation K60 ES





**Model: K60 ES 200-240V 50/60Hz**

ARTICLE NO.	DRAWING NO.	DESCRIPTION
301872	(70)	Key pad foil (7 buttons, until serial number 12657)
308198	70	Key pad foil (5 buttons, from serial number 12658)
308416	71	Magnetic switch complete
302407	(72)	Control PCB K60 ES Mod. Lev. 3 (7 buttons with hopper safety switch) serial numbers 10964-12657
308012	72	Control PCB K60 ES (5 buttons, LC) from serial number 12658
310627	73	Small parts set control PCB K60 ES (35 pieces)
302100	(74)	Control cable 2 K60 ES (until serial number 12657)
307535	74	Control cable 2 K60 ES (from serial number 12658)
300985	75	Locking pin



Model: K60 ES 200-240V 50/60Hz

ARTICLE NO.	DRAWING NO.	DESCRIPTION
308126	80	Power board K60 ES CE) complete 200-240V / 50/60Hz mod.level 5
302392	81	Running capacitor 12µF
302099	(82)	Control cable 1 K60 ES for Mod.Lev.3 (until serial number 12657)
308395	82	Control cable 1 K60 ES for Mod.Lev.5 (from serial number 12658)
305939	(83)	Power board K60 ES Mod.Lev.2 (until serial number 10963)
305702	(83)	Power board K60 ES Mod.Lev.3 (serial number 10964 - 12657)
308013	83	Power board K60 ES Type LC (from serial number 12658)
302393	84	Fan 24VDC 60x60x15
302322	85	Fuse, 10A T (slow), for built-in grinder
302324	(85)	Fuse, 315mA T (slow), primary/main fuse (until serial number 12657)
302325	(85)	Fuse, 2A T (slow), secondary fuse (until serial number 12657)
300956	86	Magnet



Model: K60 ES 200-240V 50/60Hz

ARTICLE NO.	DRAWING NO.	DESCRIPTION
<b>ADDITIONAL EQUIPMENT</b>		
306396	-	Packaging K60 ES complete
303643	-	Karton box DB 23 600x400x465
303644	-	Transport protection inside (form foam)
303645	-	Transport case K60 ES left + right
309371	-	Equipment pack K60 ES (2x intermediate hopper, brush, tamper cap 53mm)
101855	-	GRINDZ Grinder Cleaner box with 12 jars of 430 g each
101856	-	GRINDZ Grinder Cleaner, 32 boxes á 3 x 35 g
308847	-	Programming dongle K60 ES, K30 TWIN

