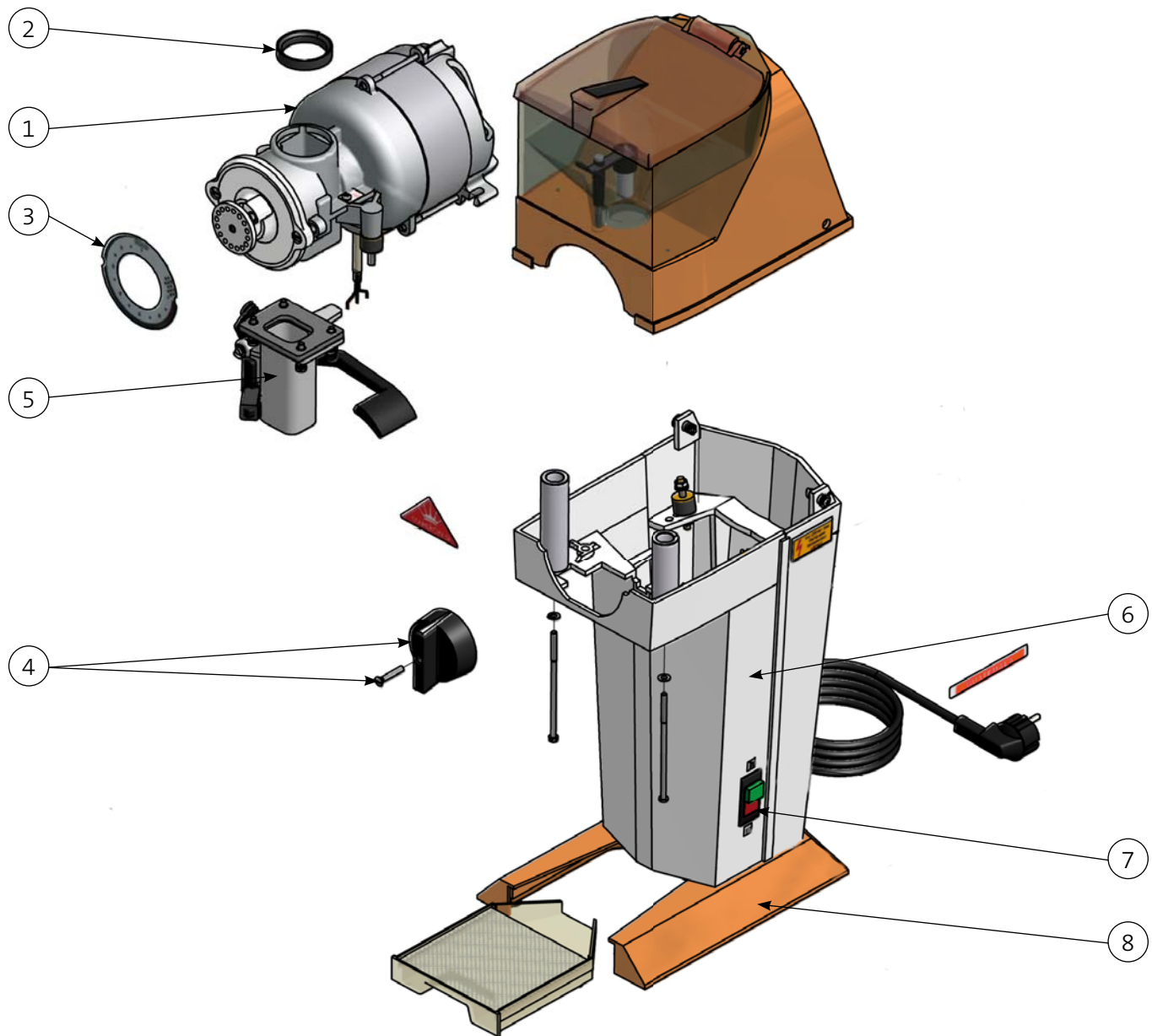


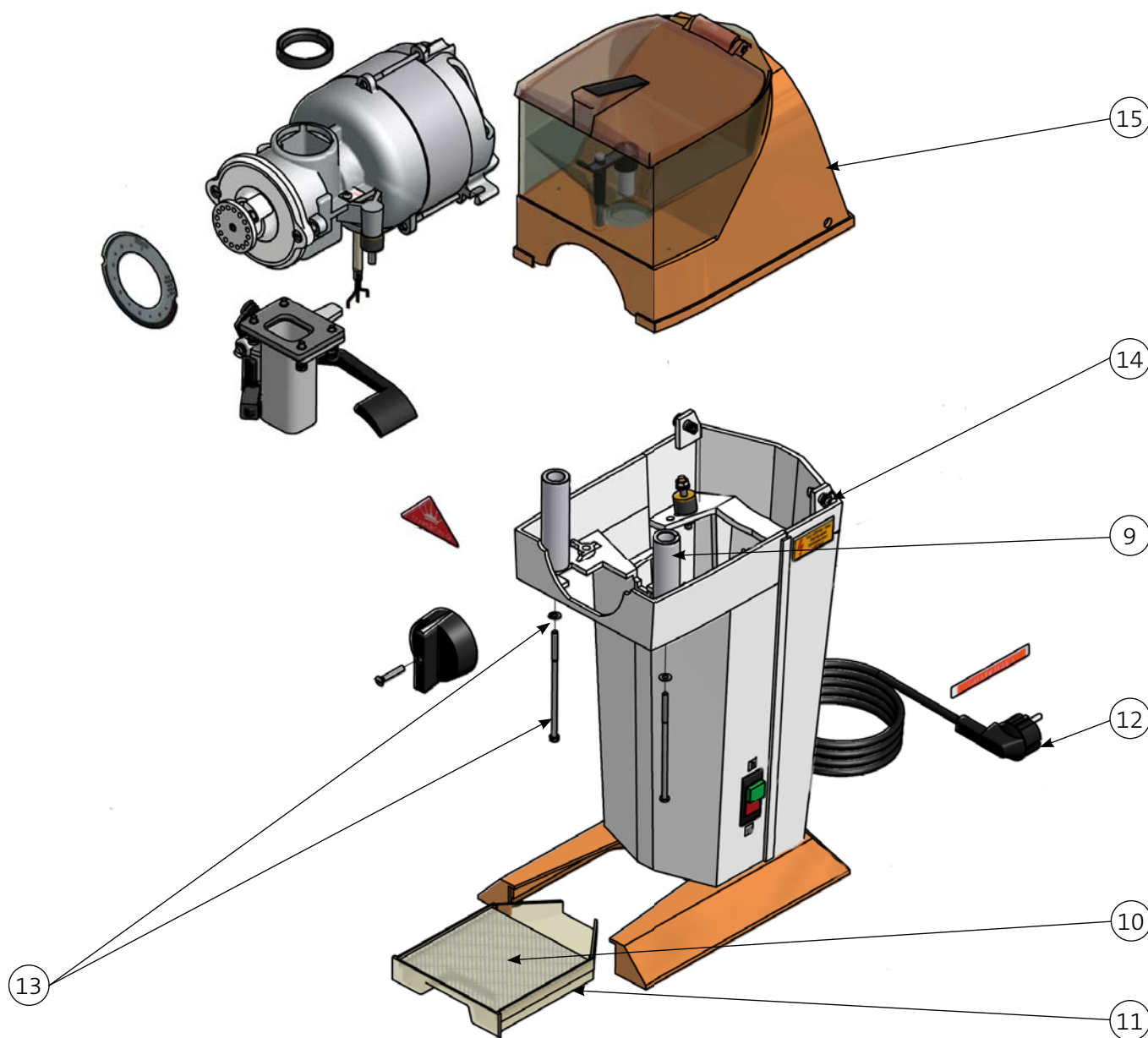
Valid from 01.01.2013
Supersedes all previously issued spare parts lists

Subject to change without prior notice.



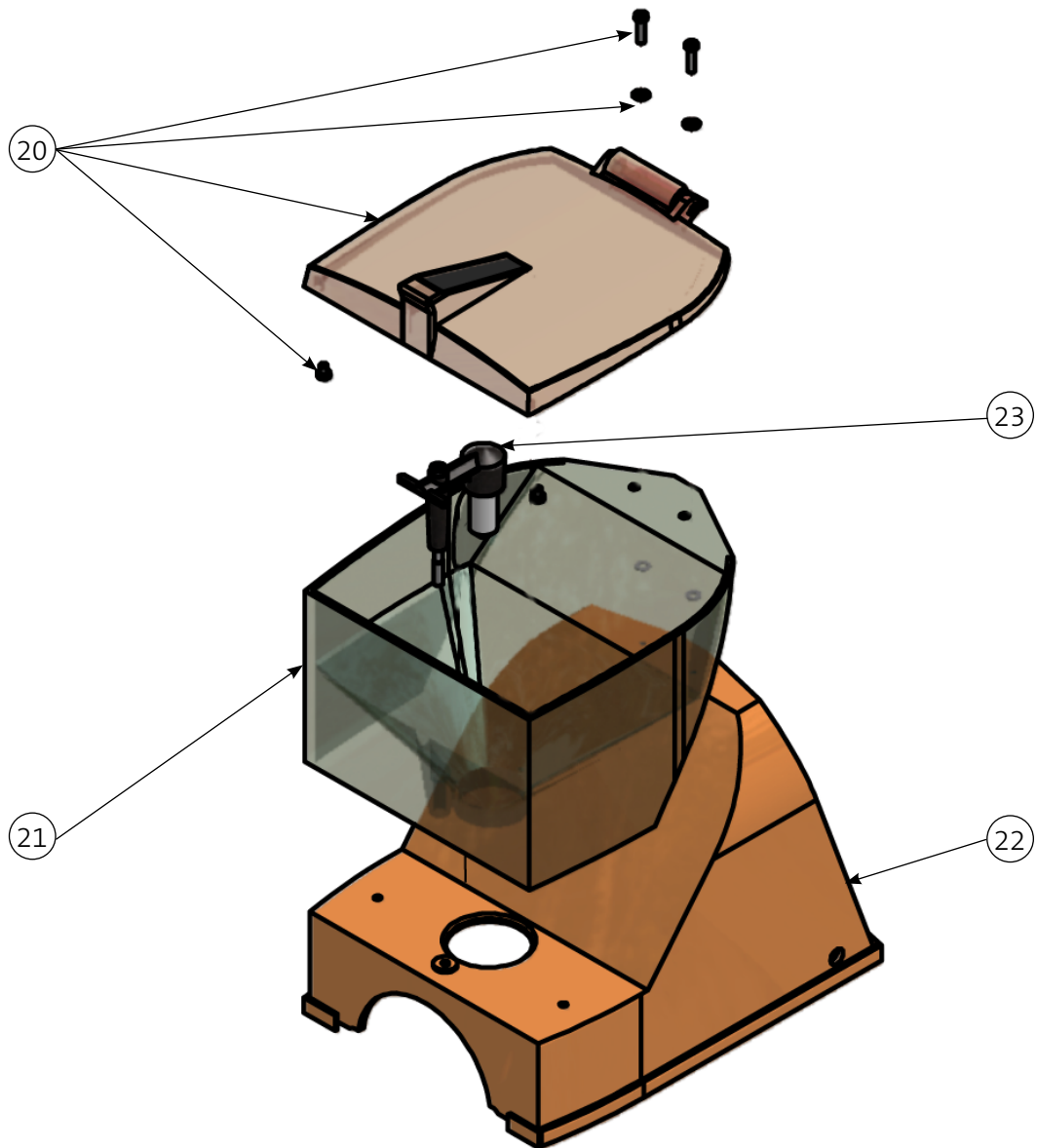
Model: Guatemala - 200-240V / 50/60Hz

| ARTICLE NO. | DRAWING NO. | DESCRIPTION |
|-------------|-------------|--|
| - | 1 | Motor (see page 5) |
| 302727 | 2 | Seal ring |
| 301834 | 3 | Scale label - dot screen |
| 309696 | 4 | Adjustment cap K32 service pack |
| 309552 | 5 | Spout K32S with clamping for shaking (see page 6) |
| 305139 | 6 | Housing lower part K32/K22 for ETA switch, STATE COLOUR |
| 302375 | 7 | ETA-Switch 2-pin (220-230V/50-60Hz), STATE SERIAL NUMBER |
| 306070 | - | Conversion kit for BÄR-switch 7A (Gua) with protector 7A, STATE SERIAL NO. |
| 300395 | 8 | Base plate cover K32, outside coated, STATE COLOUR |



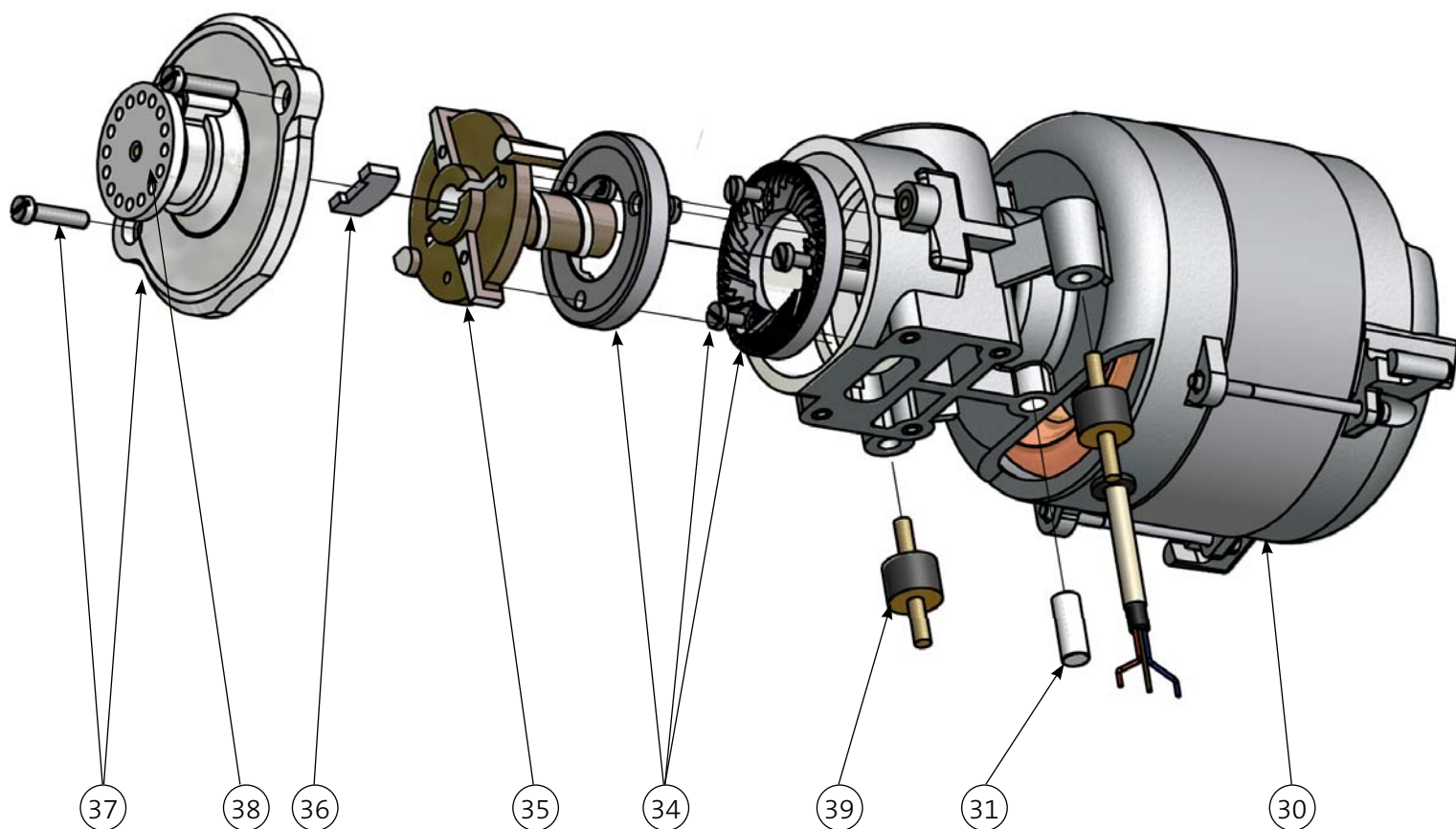
Model: Guatemala - 200-240V / 50/60Hz

| ARTICLE NO. | DRAWING NO. | DESCRIPTION |
|-------------|-------------|--|
| 305394 | 9 | Distance bush |
| 301054 | 10 | Rib mesh |
| 300481 | 11 | Residue tray Gua/Kenia |
| 300480 | (10+11) | Residue tray with rib mesh |
| 303723 | 12 | Power cord with angular plug |
| - | (12) | Power cord with different plug on request |
| 309697 | 13 | Mounting of housing upper part, service pack |
| 301215 | 14 | Vibrex screw |
| 300364 | 15 | Housing upper part Gua/Kenia, complete, STATE COLOUR |



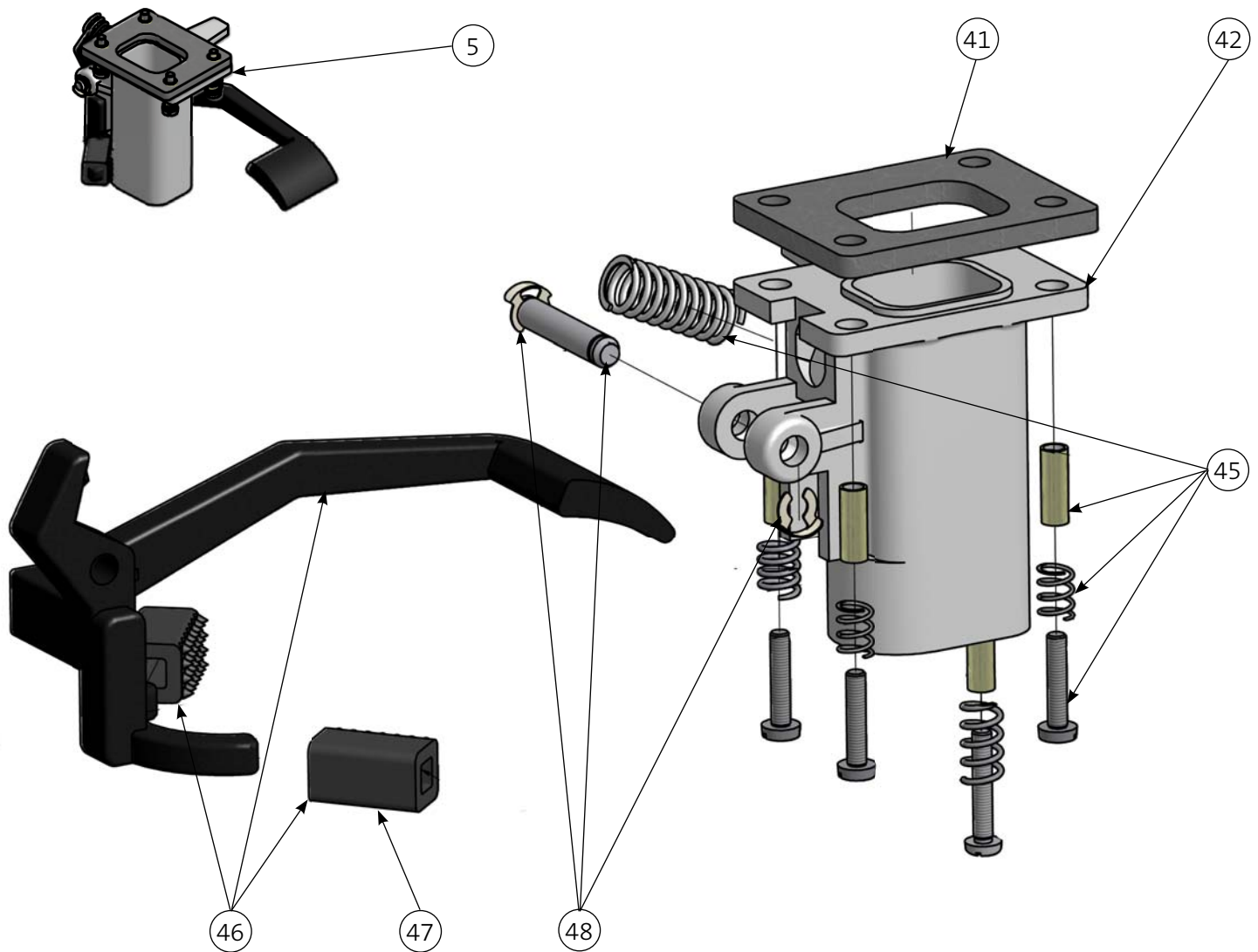
Model: Guatemala - 200-240V / 50/60Hz

| ARTICLE NO. | DRAWING NO. | DESCRIPTION |
|-------------|-------------|---|
| 309698 | 20 | Hinged lid K32 (brown), service pack |
| 310081 | - | Hinged lid K32 (transparent, NSF), service pack |
| 300485 | 21 | Hopper K32 (brown) |
| 300248 | - | Hopper K32 (transparent, NSF) |
| 300447 | 22 | Top housing Gua/Kenia, STATE COLOUR |
| 300334 | 23 | Magnet holder K32 compl. |
| 308554 | - | Magnet holder K32 Lexan (NSF), complete |



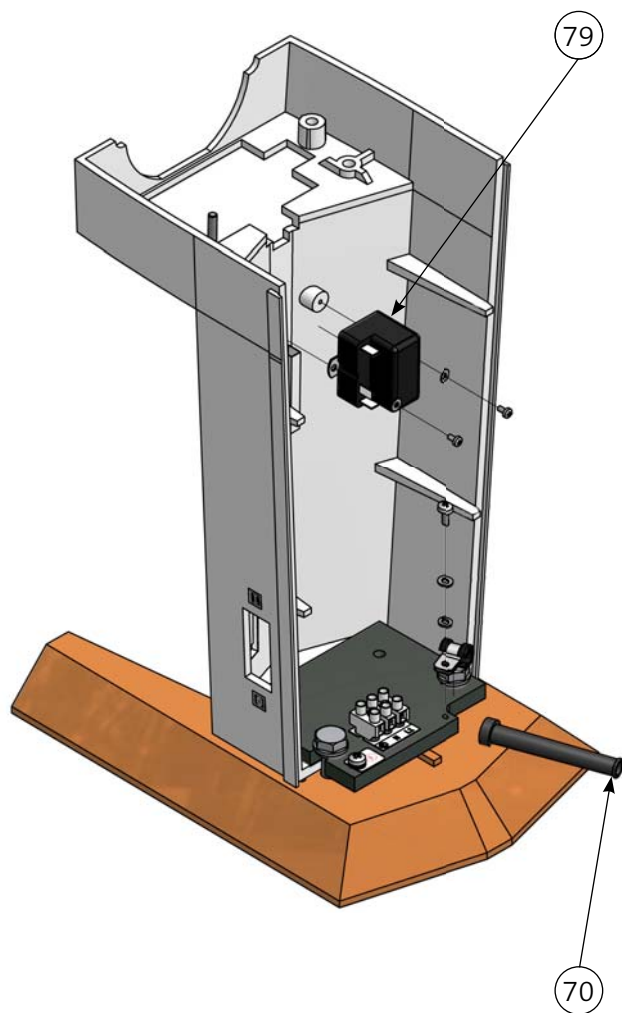
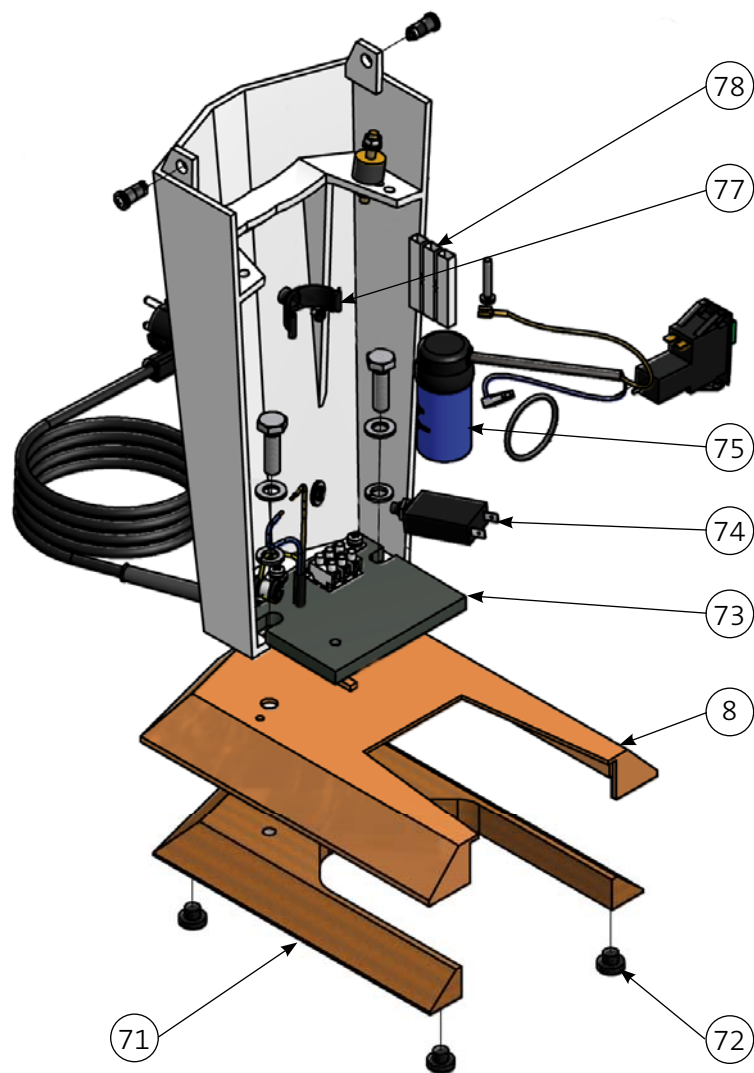
Model: Guatemala - 200-240V / 50/60Hz

| ARTICLE NO. | DRAWING NO. | DESCRIPTION |
|-------------|-------------|--|
| - | 30 | Motor on request (with serial number) |
| 302723 | 31 | Tappet d=10x26 |
| 309700 | 34 | Grinding disc set K32S Guatemala, service pack |
| 300073 | 35 | Pre-breaker (Guatemala) |
| 303864 | 36 | Shear plate (aluminium) |
| 309397 | 37 | Grinder casing cover K22-K32 compl. with plastic shaft |
| 300304 | 38 | Grind adjustment spindle (plastic) |
| 309701 | 39 | Motor suspension K32 Servicepack |



Model: Guatemala - 200-240V / 50/60Hz

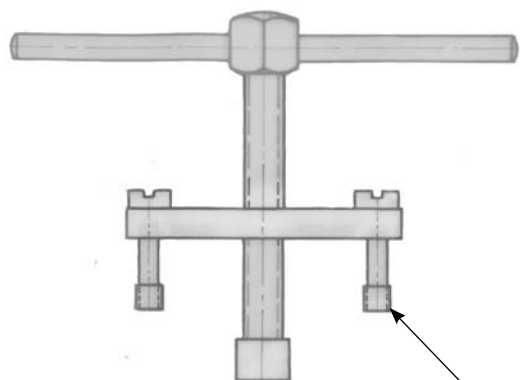
| ARTICLE NO. | DRAWING NO. | DESCRIPTION |
|-------------|-------------|--|
| 309552 | 5 | Spout K32S with clamping for shaking |
| 302728 | 41 | Spout gasket |
| 305705 | 42 | Spout K22 tooled |
| 305669 | - | Spout polished (special request only) |
| 300199 | 45 | Spout K32S small parts set |
| 309704 | 46 | Bag holder handle K32/22, service pack |
| 302725 | 47 | Bag holder rubber |
| 309703 | 48 | Bag holder shaft, service pack |



Model: Guatemala - 200-240V / 50/60Hz

| ARTICLE NO. | DRAWING NO. | DESCRIPTION |
|-------------|-------------|--|
| 300395 | 8 | Base plate cover K32, outside coated, STATE COLOUR |
| 302753 | 70 | Tension relief |
| 300098 | 71 | Baseplate |
| 302741 | 72 | Rubber buffer, black |
| 309425 | 73 | Socket plate K22-K32 assembly unit compl. for 220-230V 50/60Hz |
| 309705 | 74 | Current overload protection 7A, service pack |
| 309428 | 75 | Starting capacitor 180 μ F 220V/50Hz assembled |
| 309707 | 77 | Mounting clamp for capacitors 35mm diameter, service pack |
| 302469 | 78 | 3-pole connector |
| 309706 | 79 | Starting relay 2CR3-207, service pack |

Additional Equipment:



90

93



92



94



95



Model: Guatemala - 200-240V / 50/60Hz

| ARTICLE NO. | DRAWING NO. | DESCRIPTION |
|-------------|-------------|---|
| 304041 | 90 | Pulling off device for prebreaker |
| 305477 | - | Inlet foamed set 2-parts for carton board |
| 303587 | - | Cardboard box Gua/Kenia |
| 101855 | 92 | GRINDZ Grinder Cleaner (box with 12 jars of 430 g each) |
| 101856 | 93 | GRINDZ Grinder Cleaner (box with 32 cardboard packs of 3x35g sachets) |
| 308618 | 94 | Hopper extension 1kg/2lbs |
| 308619 | - | Hopper extension 1,5kg/3lbs |
| 308620 | 95 | Hopper extension 2,5kg/5lbs |
| - | - | Base extension (K32) on request |