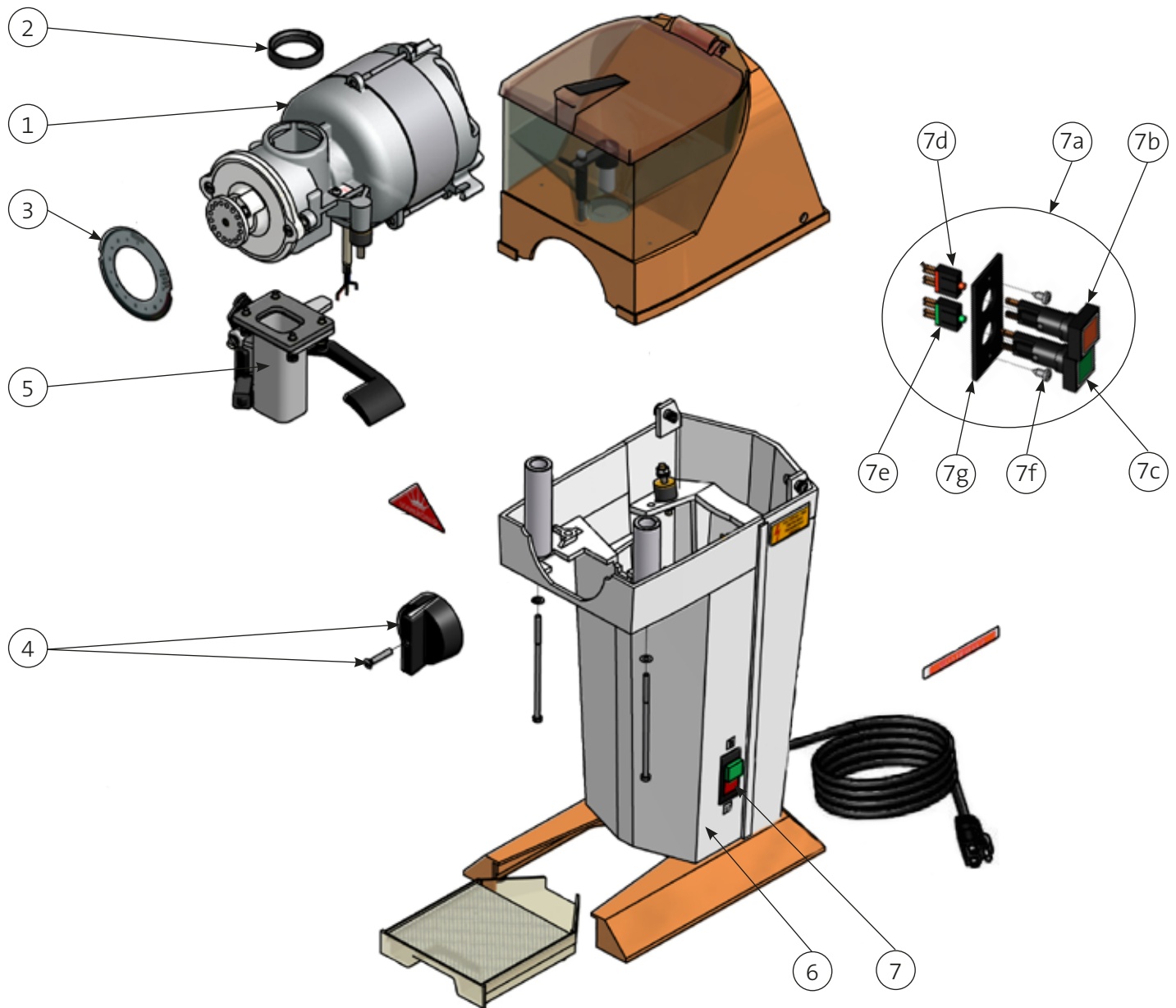


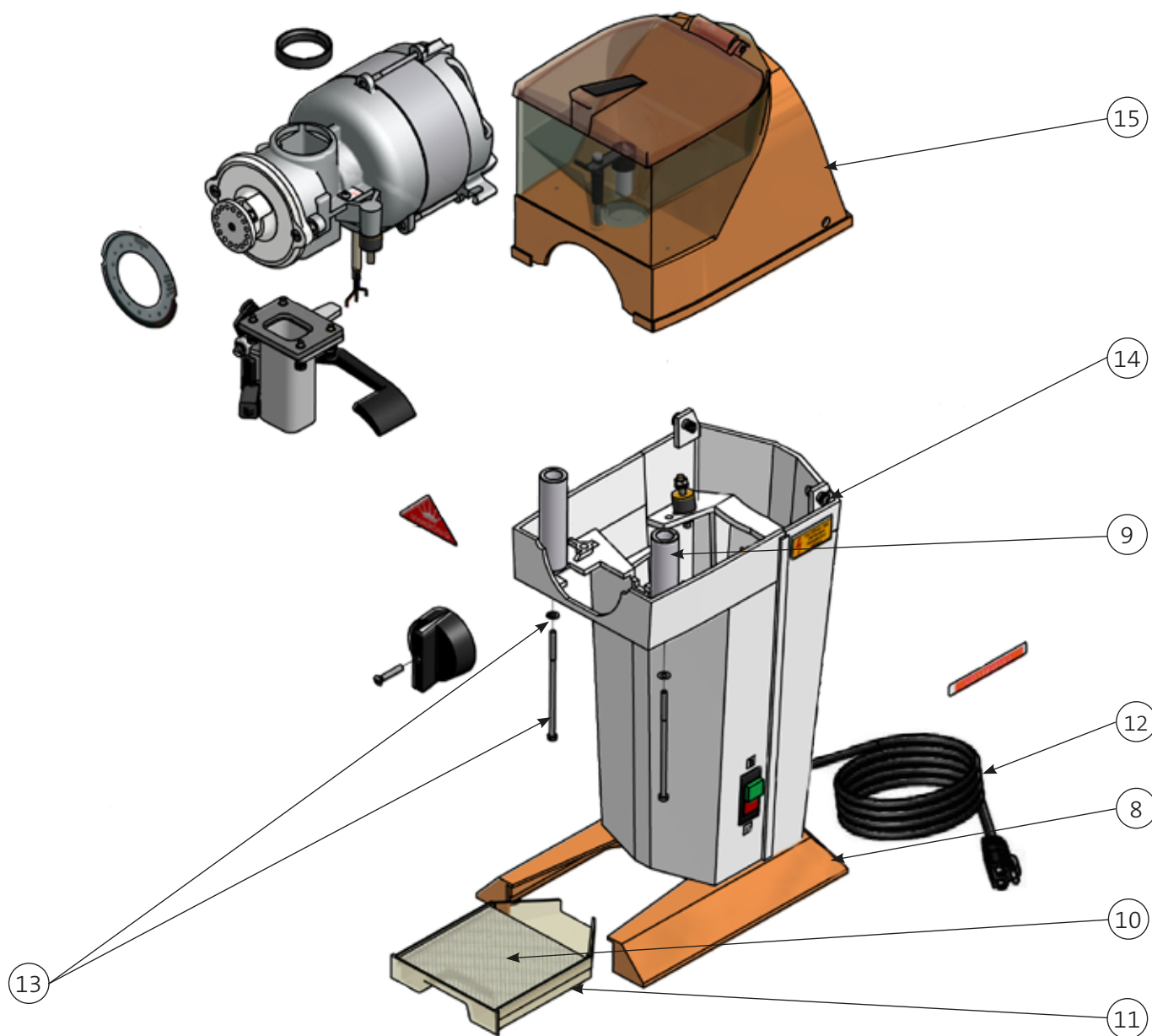
Valid from 18th October 2016
Supersedes all previously issued spare parts lists

Subject to change without prior notice.



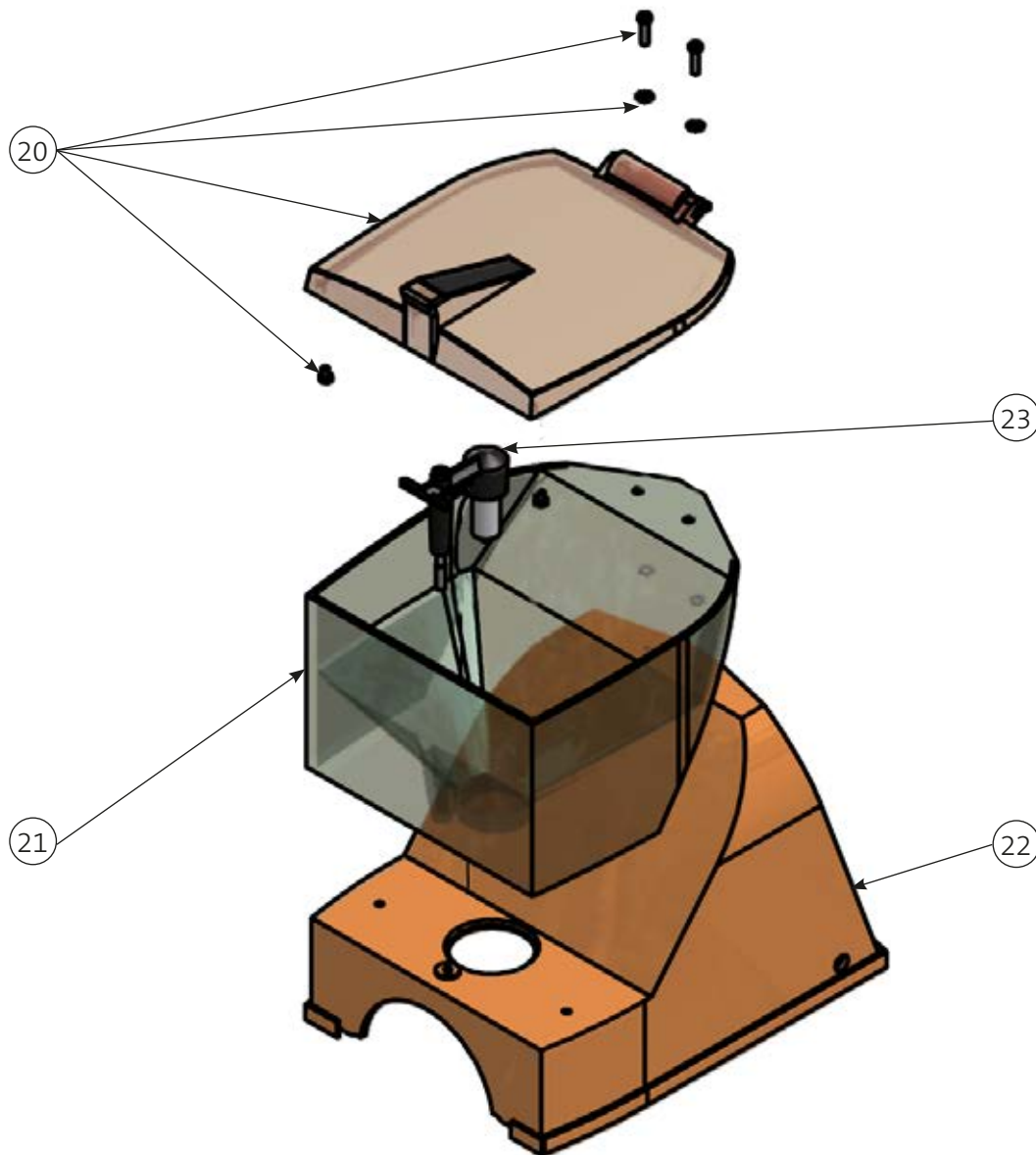
Model: Guatemala 115V 60Hz

ARTICLE NO.	DRAWING NO.	DESCRIPTION
-	1	Motor (see page 5)
308555	2	Seal ring for hopper (NSF)
301834	3	Scale label - dot screen
309696	4	Adjustment cap K32 service pack
-	5	Spout with flat spring complete
305139	6	Housing lower part K32/K22 for ETA switch, STATE COLOUR
302365	7	ETA-Switch 2-pin 16A 110-115V 60Hz, STATE SERIAL NUMBER
308181	7a	Push button unit, service pack, STATE SERIAL NUMBER
305752	7b	Push button red
305754	7c	Push button green
305755	7d	Contact element red
305756	7e	Contact element green
305571	7f	Fillister head screw DIN7981 C4,2x9,5 H gal Zn
306026	7g	Switch plate for push buttons



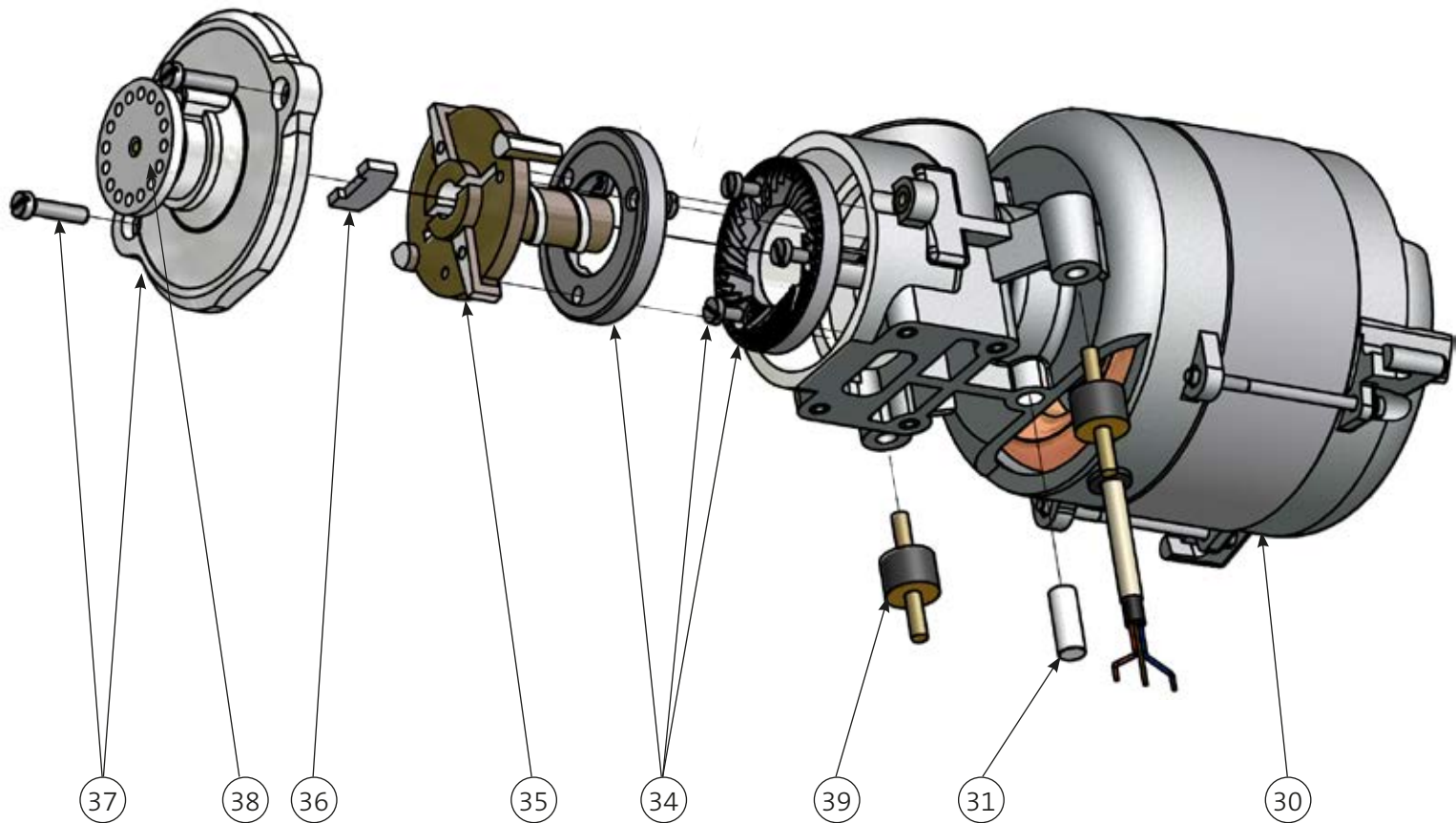
Model: Guatemala 115V 60Hz

ARTICLE NO.	DRAWING NO.	DESCRIPTION
300399	8	Base plate cover K32, inside coated, STATE COLOUR
305394	9	Distance bush
301054	10	Rib mesh
300481	11	Residue tray Gua/Kenia
300480	(10+11)	Residue tray with rib mesh
302041	12	Power cord with plug, USA
-	(12)	Power cord with different plug on request
309697	13	Mounting of housing upper part, service pack
301215	14	Vibrex screw
309578	15	Housing upper part Gua/Kenia (NSF), complete, STATE COLOUR



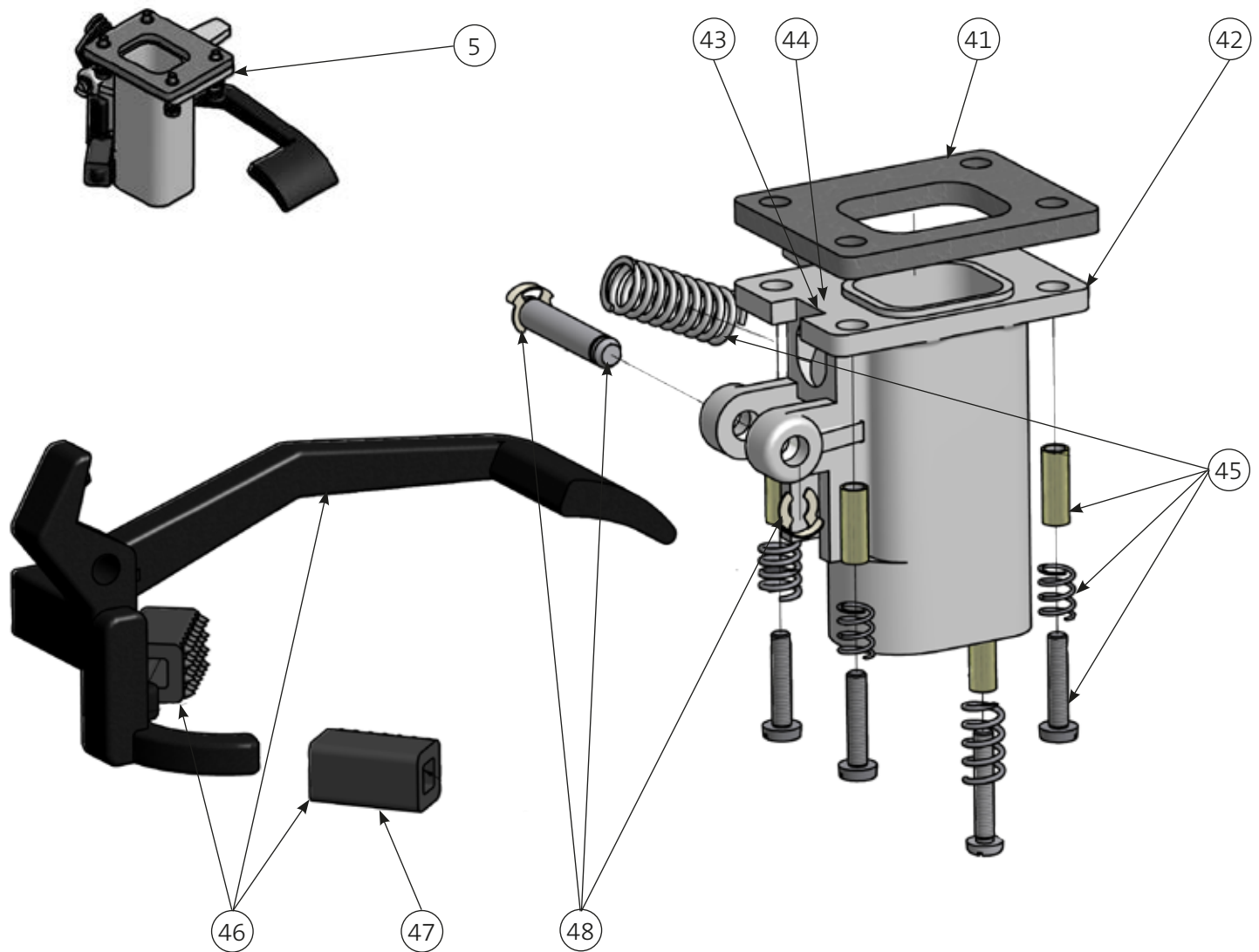
Model: Guatemala 115V 60Hz

ARTICLE NO.	DRAWING NO.	DESCRIPTION
309698	20	Hinged lid K32 (brown), service pack
310081	-	Hinged lid K32 (transparent, NSF), service pack
300485	21	Hopper K32 (brown)
300248	-	Hopper K32 (transparent, NSF)
300367	22	Top housing K32, inside coated, STATE COLOUR
300334	23	Magnet holder K32 compl.
308554	-	Magnet holder K32 Lexan (NSF), complete



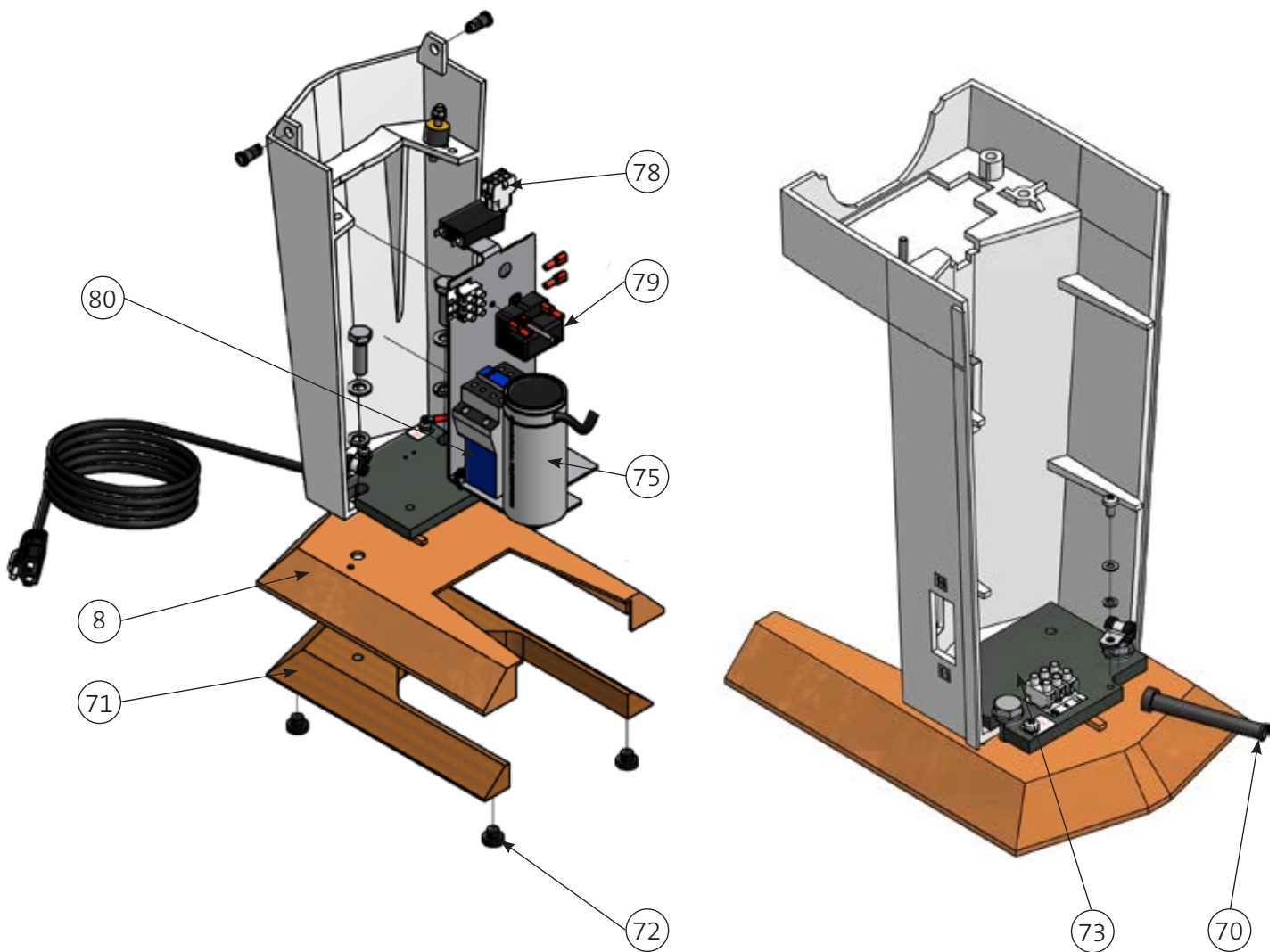
Model: Guatemala 115V 60Hz

ARTICLE NO.	DRAWING NO.	DESCRIPTION
-	30	Motor on request (with serial number)
302723	31	Tappet d=10x26
306546	34	Grinding disc set K32SLG, service pack
306476	35	Pre-breaker K32SLG
303864	36	Shear plate (aluminium)
309397	37	Grinder casing cover K22-K32 compl. with plastic shaft
300304	38	Grind adjustment spindle (plastic)
309701	39	Motor suspension - K32 Servicepack



Model: Guatemala 115V 60Hz

ARTICLE NO.	DRAWING NO.	DESCRIPTION
-	5	Spout with flat spring complete
305485	41	Spout gasket (NSF)
307303	42	Spout K32(S)/10 for flat spring
305669	-	Spout polished (special request only)
301125	43	Flat spring in spout K32(S)/10
305576	44	Flat head screw DIN7380 M5x10 10.9
300199	45	Spout K32S small parts set
309704	46	Bag holder handle K32/22, service pack
302725	47	Bag holder rubber
309703	48	Bag holder shaft, service pack



Model: Guatemala 115V 60Hz

ARTICLE NO.	DRAWING NO.	DESCRIPTION
300399	8	Base plate cover K32, inside coated, STATE COLOUR
302748	70	Rubber funnel
300098	71	Baseplate
302741	72	Rubber buffer, black
309577	73	Baseplate K22-K32 compl. For 115V-60Hz pushbuttons
302357	75	Starting capacitor 730µF
302508	78	6-pole connector (socket)
100710	79	SINPAC electronic switch relay
302390	80	Contactora 110-115V - 60 Hz

Additional Equipment



Model: Guatemala 115V 60Hz

ARTICLE NO.	DRAWING NO.	DESCRIPTION
304041	90	Pulling off device for prebreaker
305477	-	Inlet foamed set 2-parts for carton board
303587	-	Cardboard box Gua/Kenia
101855	92	GRINDZ Grinder Cleaner (box with 12 jars of 430 g each)
101856	93	GRINDZ Grinder Cleaner (box with 32 cardboard packs of 3x35g sachets)
308618	94	Hopper extension 1kg/2lbs
308619	-	Hopper extension 1,5kg/3lbs
308620	95	Hopper extension 2,5kg/5lbs
-	-	Base extension (K32) on request