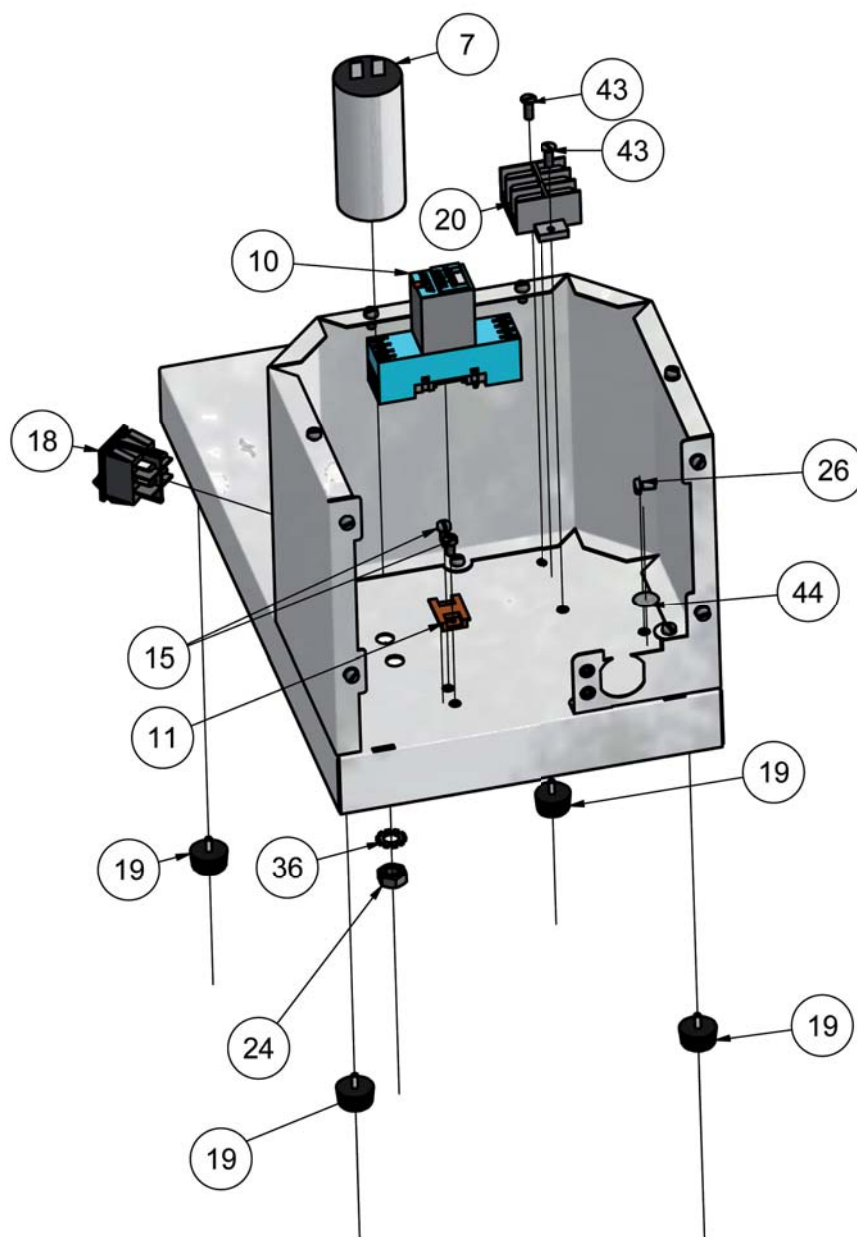


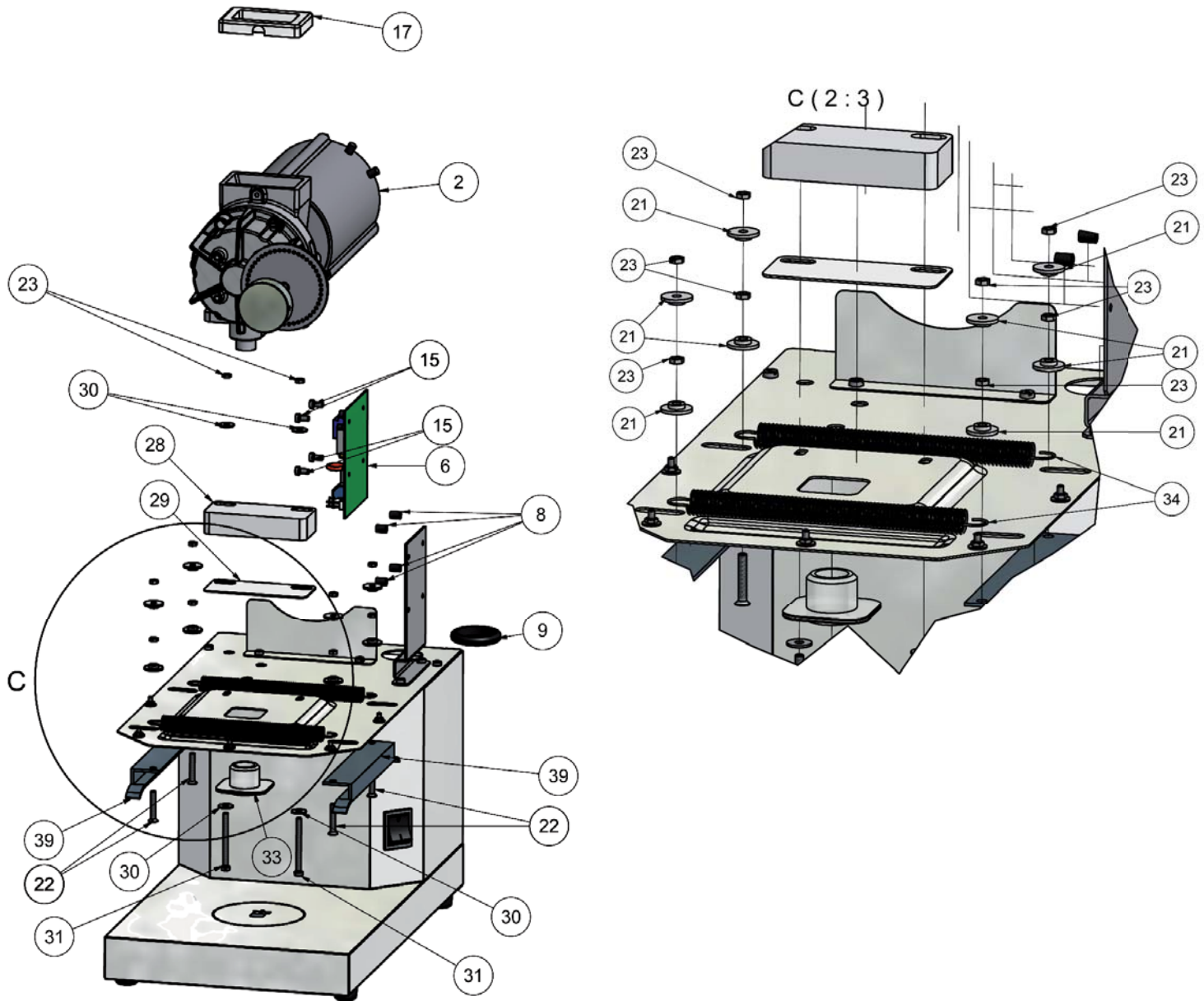
Valid from 1st August 2013
Supersedes all previously issued spare parts lists

Subject to change without prior notice.



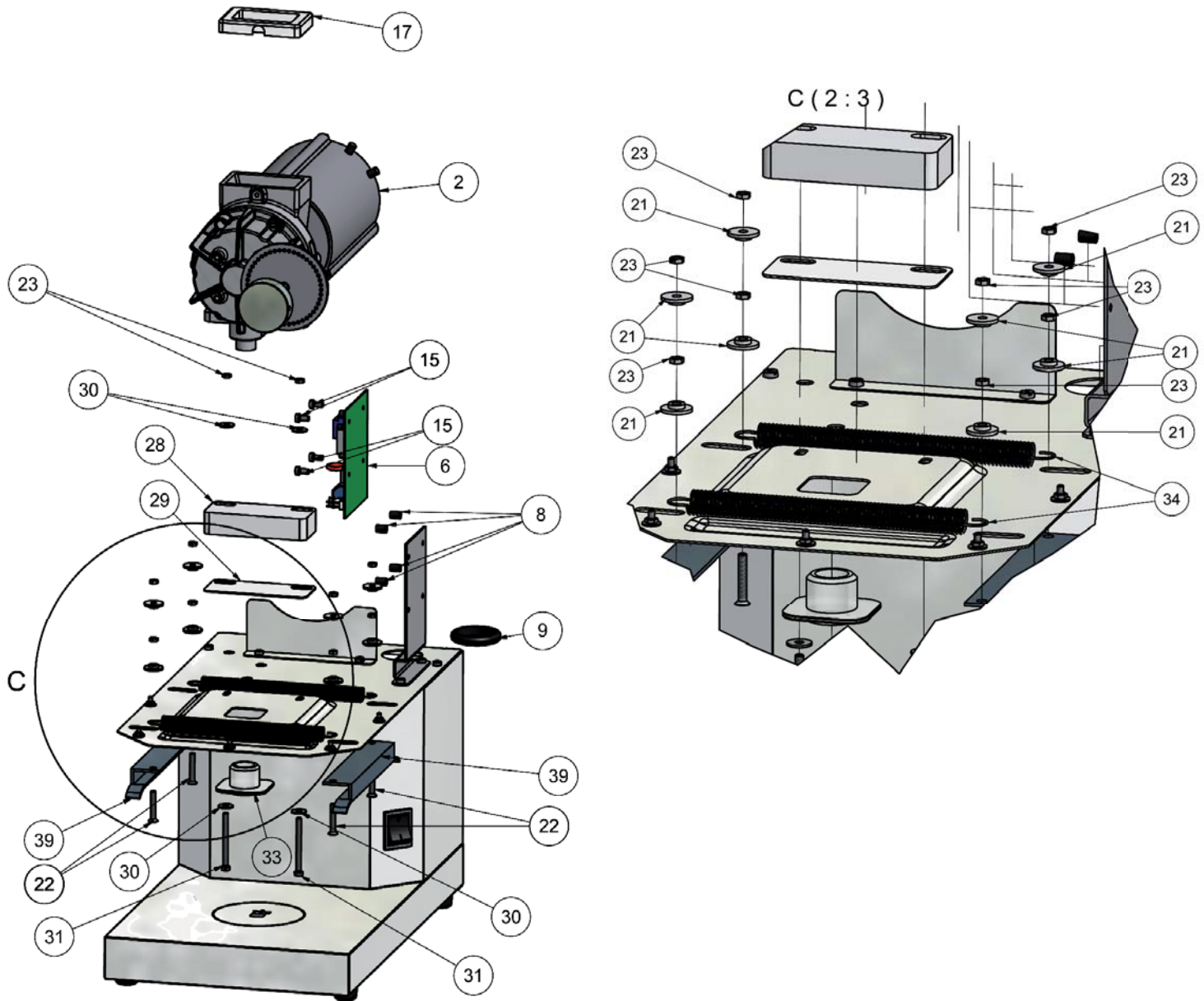
Type: FCG 2.0 200-240V 50/60Hz

ARTICLE NO.	DRAWING NO.	DESCRIPTION
302392	7	Running capacitor 12 μ F
100138	10	Relay 230V
100141	11	Socket relay grinder
301413	15	cylinder screw M4x8
308400	18	Rocker switch 2-pin
100131	19	rubber feet
100145	20	Connector PA 80 FF
308642	24	Hexagon nut left-hand thread EN24 032 (DIN934) M8LA2
350608	26	Pan-Head-Schr ISO1580 DIN85A-M4x8 A2
100149	36	lock washer
307301	43	countersunk head screw DIN963 M4 x 12 4.8 zn.
301825	44	ground label Nr. 015.321 #dry pic D=12"



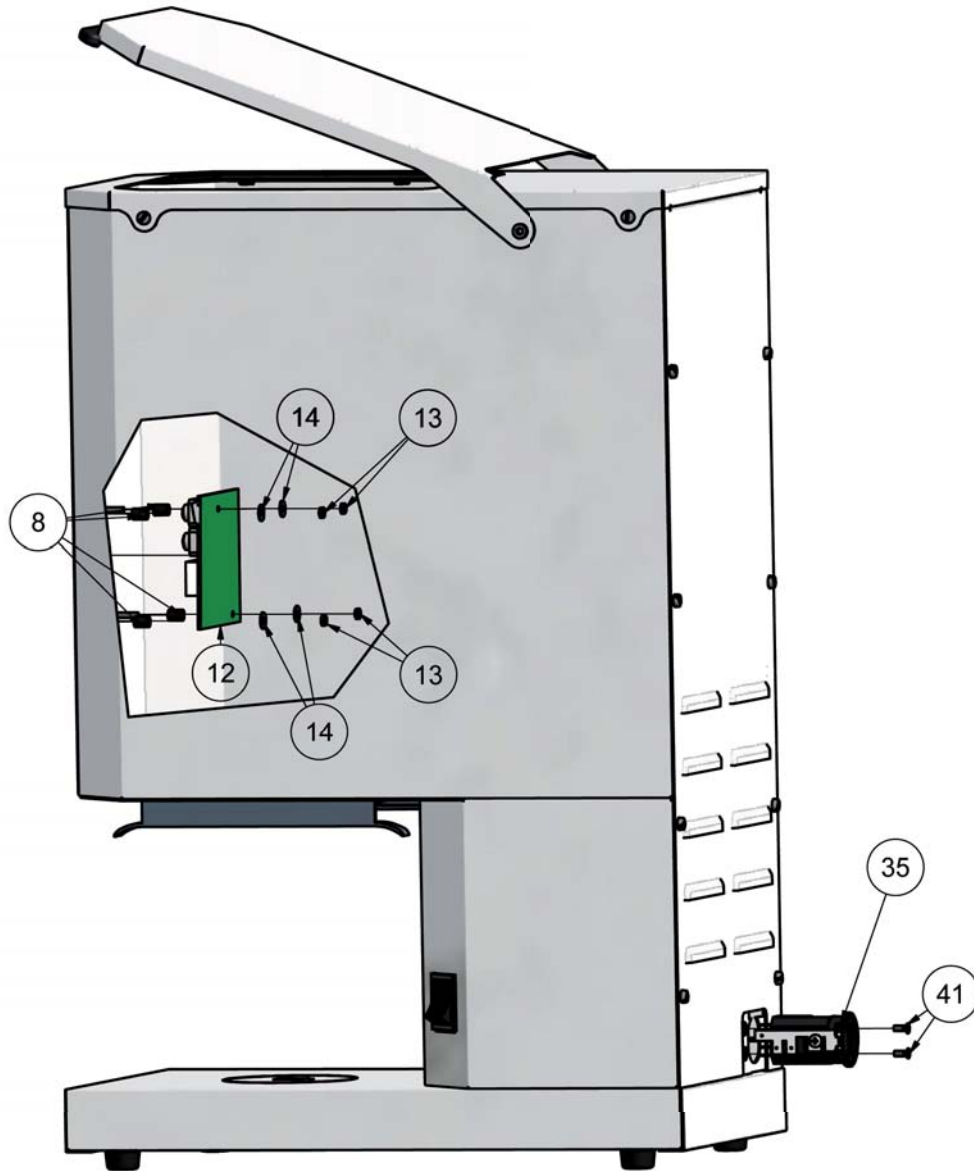
Type: FCG 2.0 200-240V 50/60Hz

ARTICLE NO.	DRAWING NO.	DESCRIPTION
310922	2	EK21 Build In grinder
311017	6	Power board
310938	8	distance bush
100128	9	rubber trp 40
301413	15	cylinder screw M4x8
100126	17	Sealing Rubber Grinder
311006	21	Isolier-distance bush 10/15 K32SB/2 #Polystyrol 6.6
305441	22	slotted countersunk head screw DIN963 M4 x 25 4.8 gal Zn
301290	23	hex nut A2E M4 DIN985
100130	28	nylon base grinder 3
100129	29	base silicon grinder 4
305653	30	washer DIN9021 4,3 100/140HV
308838	31	Zylinderschraube DIN 84 M4 x 45 vz.



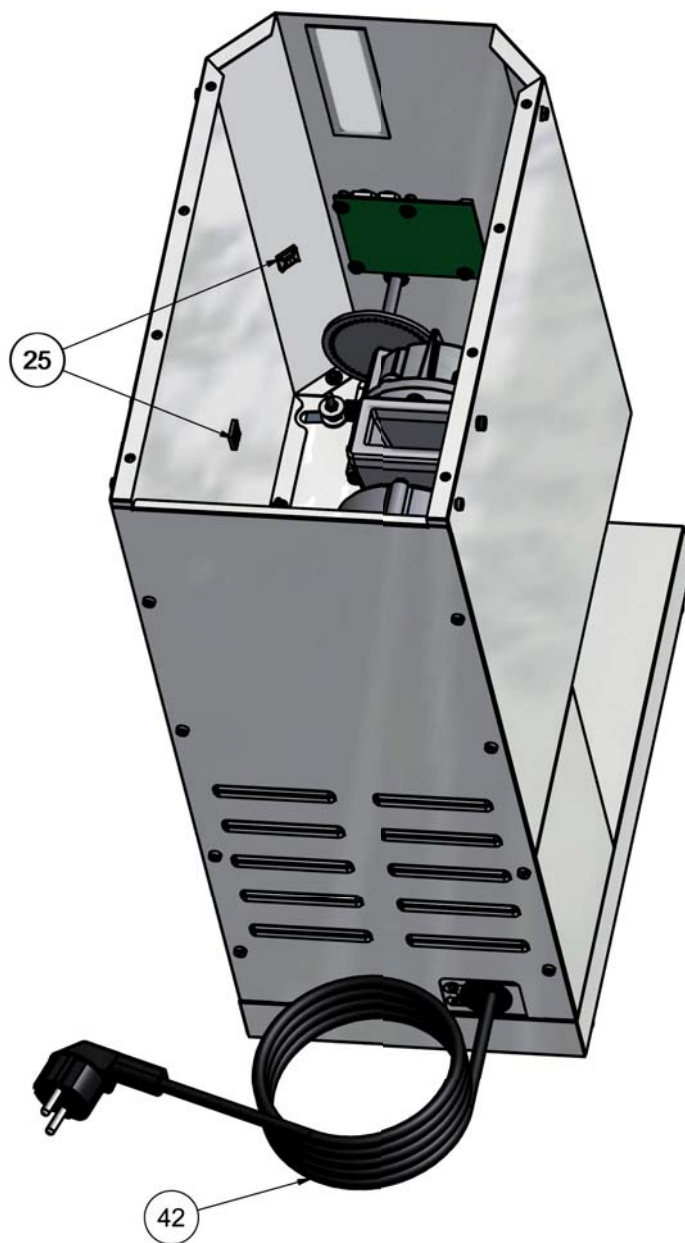
Type: FCG 2.0 200-240V 50/60Hz

ARTICLE NO.	DRAWING NO.	DESCRIPTION
100121	33	outlet tube sealing
100143	34	extension spring
100127	39	Nylon Guide Black



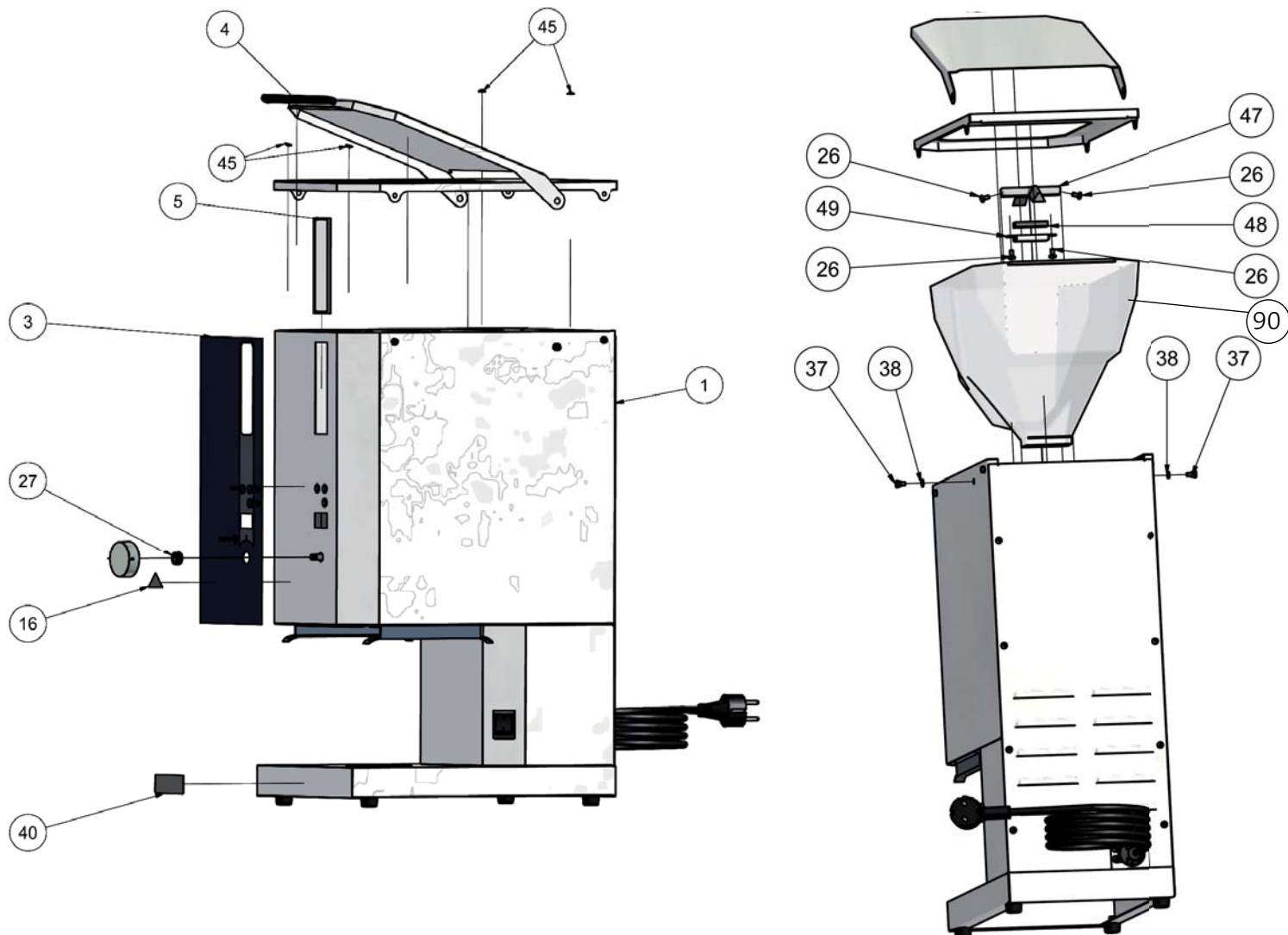
Type: FCG 2.0 200-240V 50/60Hz

ARTICLE NO.	DRAWING NO.	DESCRIPTION
310938	8	distance bush
100142	12	Control panel
301320	13	hex nut, VZ M3
301421	14	washer DIN9021 3,2 A2
100144	35	Power cable fixed
301424	41	countersunk head screw M3 x 8 DIN964 4.8



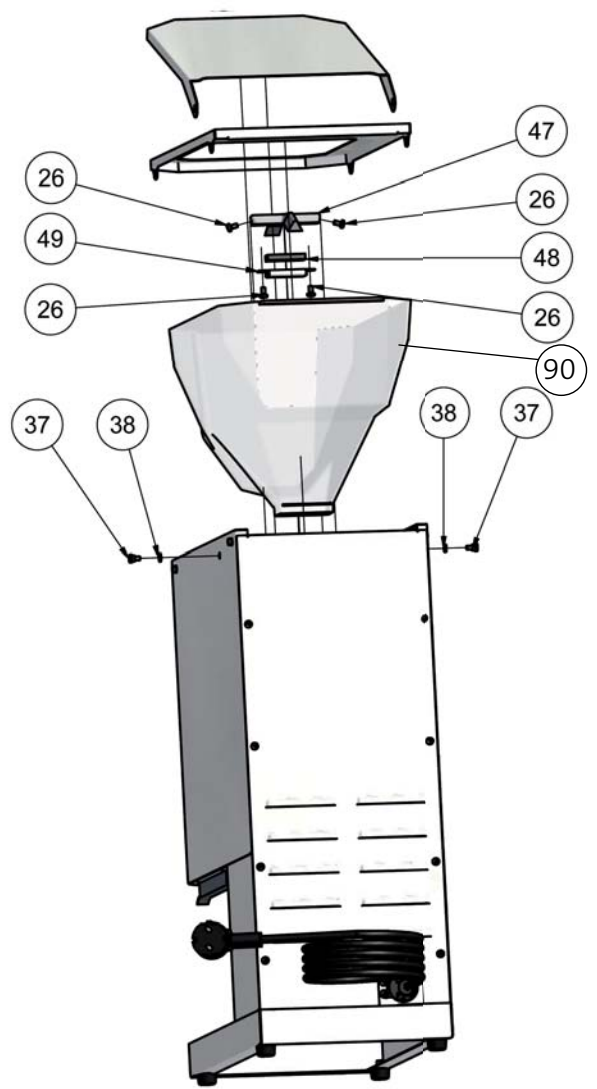
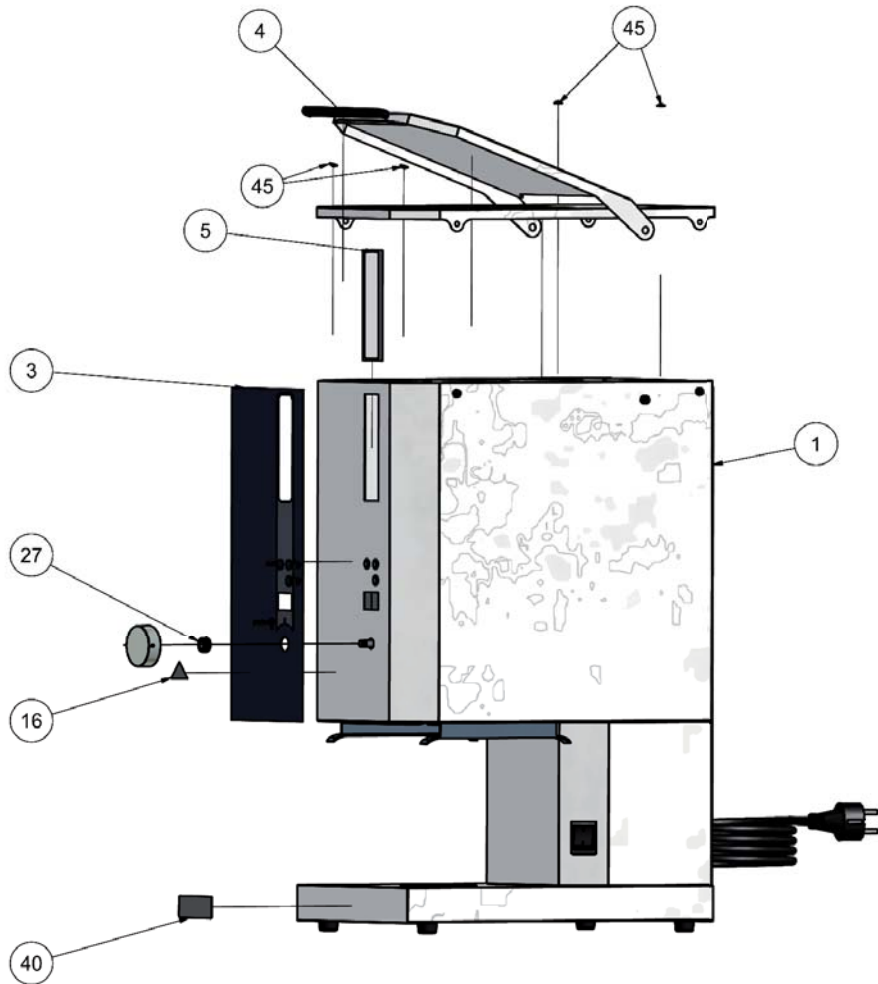
Type: FCG 2.0 200-240V 50/60Hz

ARTICLE NO.	DRAWING NO.	DESCRIPTION
310859	25	Base plate
302025	42	Power cord with plug, 230 V



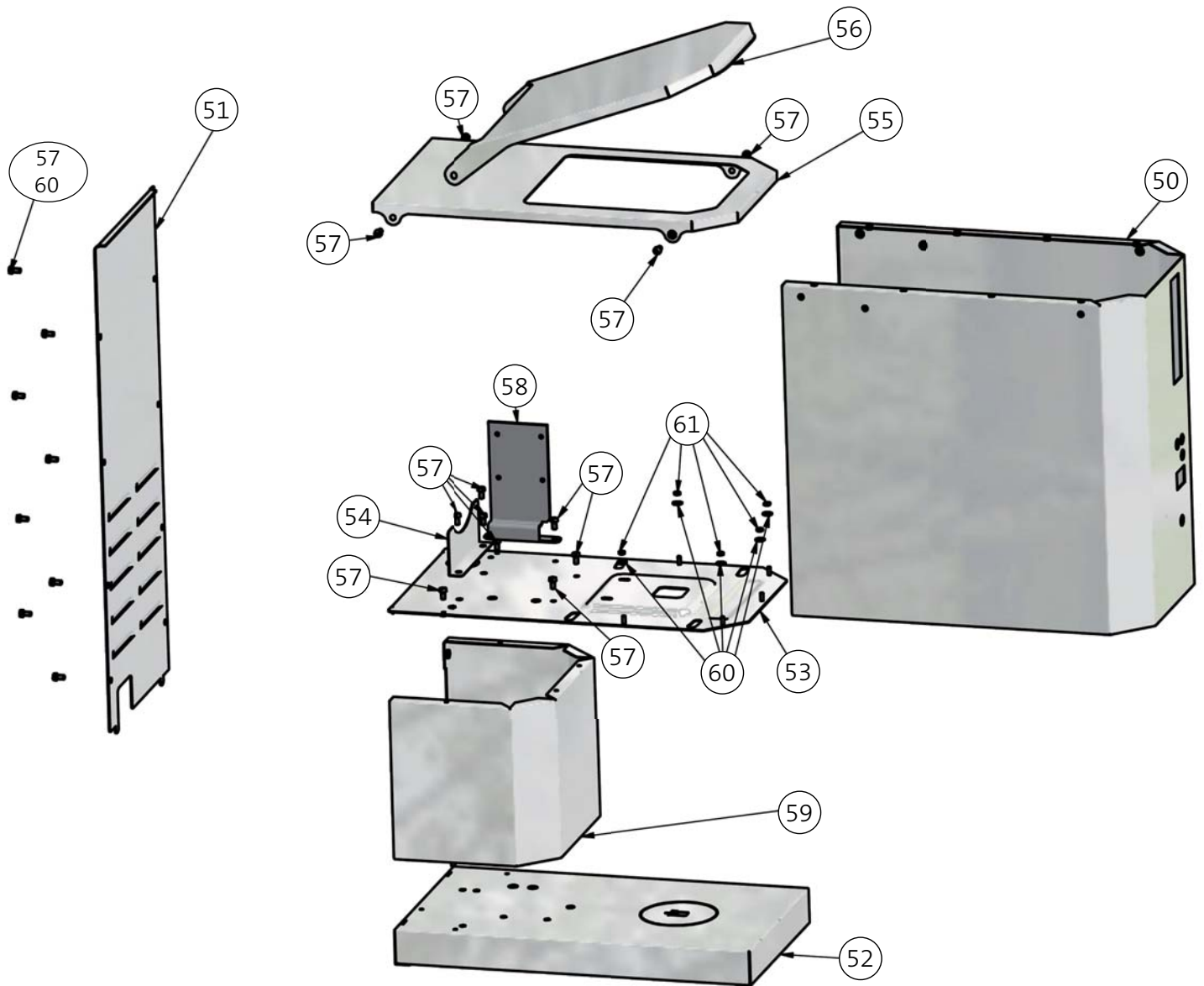
Type: FCG 2.0 200-240V 50/60Hz

ARTICLE NO.	DRAWING NO.	DESCRIPTION
311027	1	FCG Sheet Metal set
310997	3	Key pad foil "Mahlkönig" FCG
310703	4	Handle bar
310702	5	viewing window
309614	16	label
350608	26	Pan-Head-Schr ISO1580 DIN85A-M4x8 A2
100147	27	Rubber funnel
100152	37	tolerance screw
100153	38	nylon washer t = 1,2
309569	40	Sticker MAHLKÖNIG-triangle on rectangle
302781	45	"Scotch-Bumpons SJ 5302 Plus #Höhe: 2,2mm;D=7,9mm #"
100125	47	Finger protection FCG
100136	48	Magnetic 39x13x6



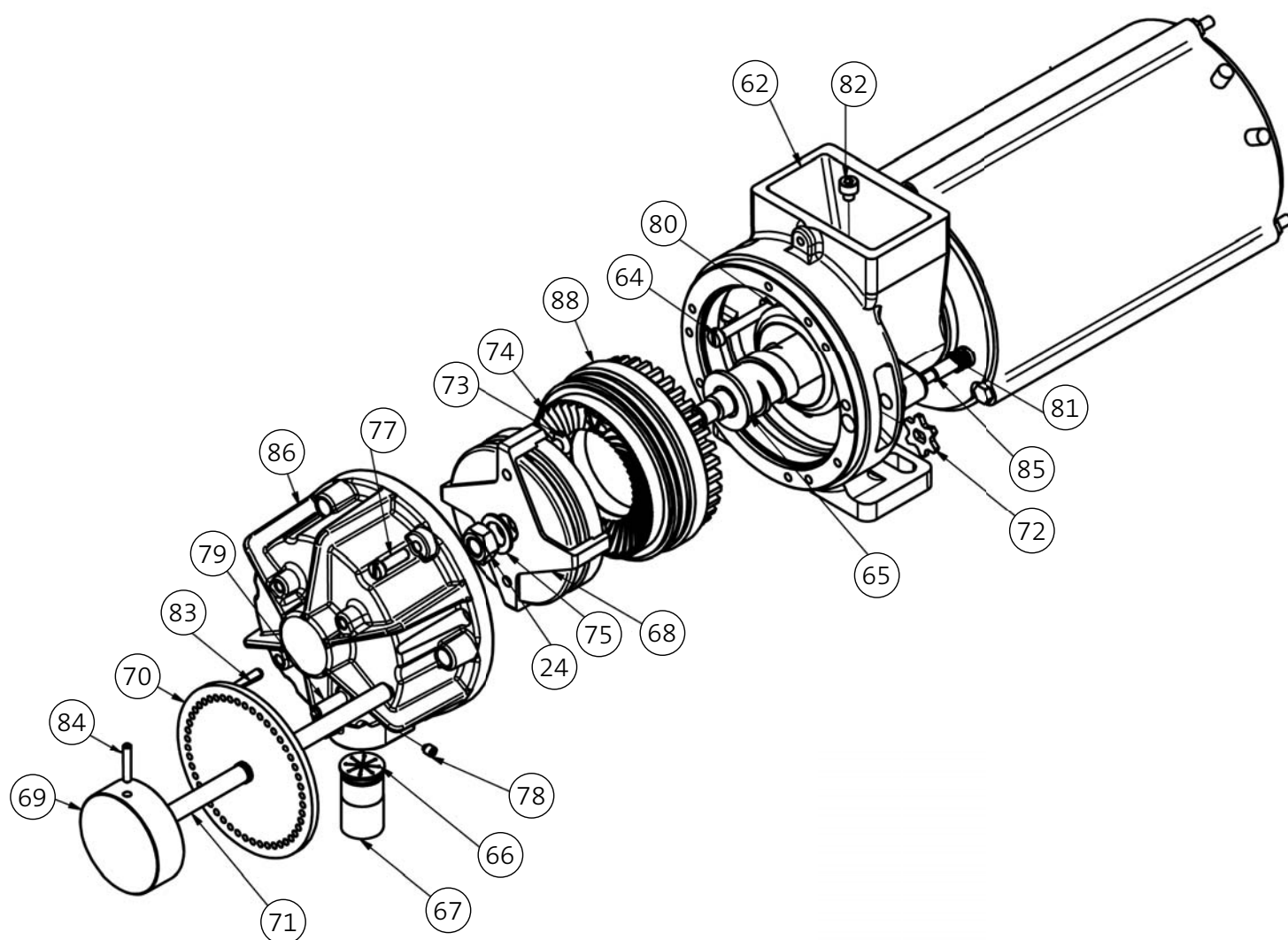
Type: FCG 2.0 200-240V 50/60Hz

ARTICLE NO.	DRAWING NO.	DESCRIPTION
100133	49	Metal plate for finger protection
100132	90	Hopper FCG 2,5kg grey coated



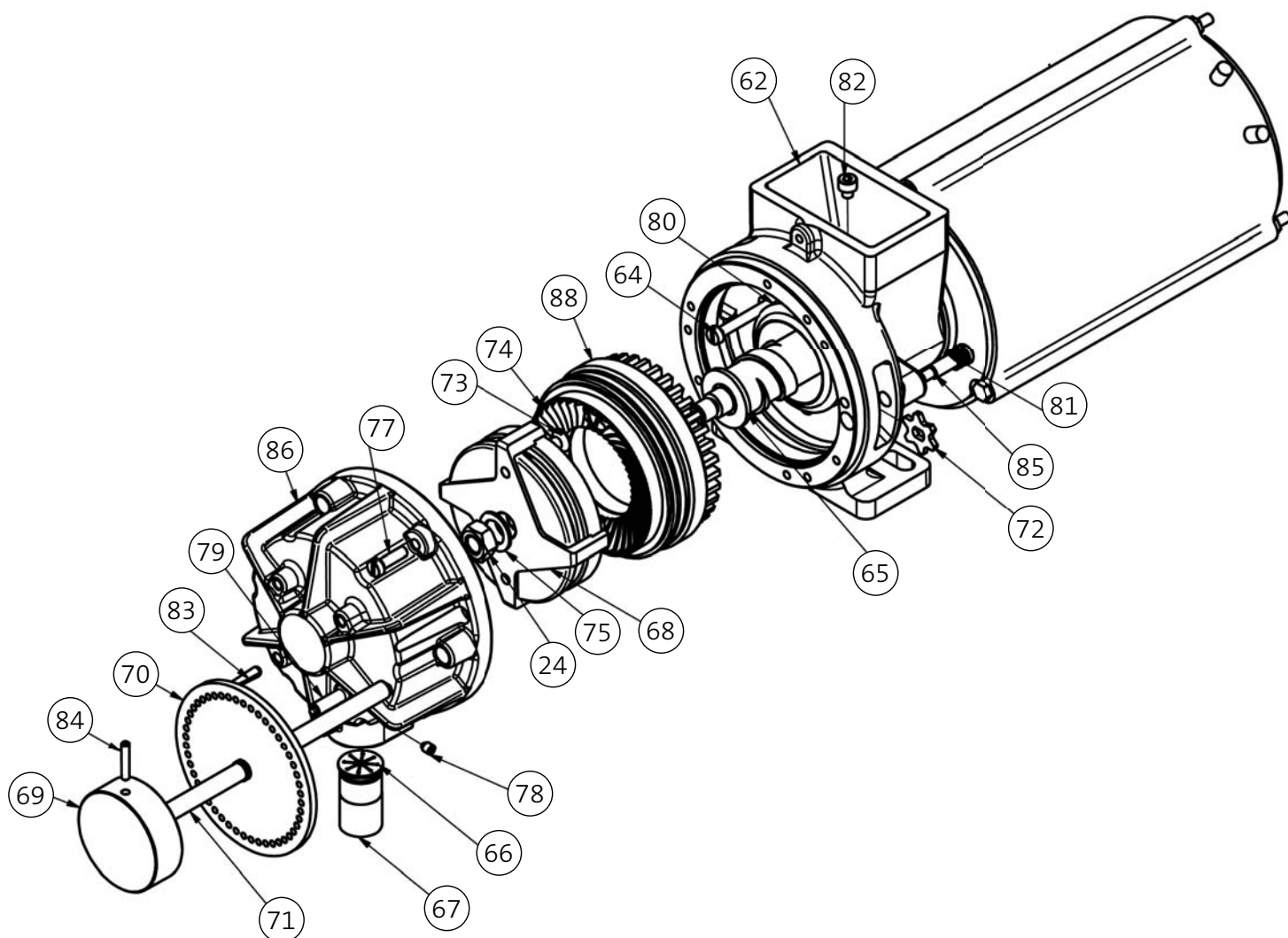
Type: FCG 2.0 200-240V 50/60Hz

ARTICLE NO.	DRAWING NO.	DESCRIPTION
310989	50	top section MK
310991	51	back cover
310990	52	bottom part
310988	53	grinder fasten sheet
310992	54	grinder support
310993	55	flat top cover
310994	56	flat top lid
301413	57	cylinder screw M4x8
310996	58	mounting plate powerboard
310995	59	mid section for MK 160mm
301421	60	washer DIN9021 3,2 A2
301320	61	hex nut, VZ M3 DIN934-8



Type: FCG 2.0 200-240V 50/60Hz

ARTICLE NO.	DRAWING NO.	DESCRIPTION
308642	24	Hexagon nut left-hand thread EN24 032 (DIN934) M8LA2
310923	62	Inlet housing
308704	64	cylinder screw M4 x 50 DIN84 4.8 zn.
307863	65	Conveying screw EK21
309471	66	Silicon-flapper EK21
309260	67	Spout EK21
308141	68	grinding disc carrier horizontal
311016	69	Adjustment knob grind adjustment FCG
311013	70	thumb wheel
311014	71	shaft W.-Nr. 1.4301 d=10 x 70,7mm
307991	72	Adjustment pinion
311046	73	Grinding disc set FCG
301590	74	countersunk head screw V2A M5 x 8



Type: FCG 2.0 200-240V 50/60Hz

ARTICLE NO.	DRAWING NO.	DESCRIPTION
309261	75	Support shim DIN988 10x16x1,0 A2
350408	77	Cylinder screw
305534	78	thread pin cup point DIN916 M4x5 45H
305070	79	pressure piece M5 x 18
309252	80	O-Ring 35x4 EPDM 75.5/KW75F (NSF)
100045	81	Pressure spring
308869	82	Allen screw M4x4 DIN912 galv. vz.
100042	83	grooved taper pin
100207	84	set screw
308753	85	Slotted pan head screw M4x12 DIN 923
310867	86	Grinder housing EK21
301659	87	hex nut VZ BM4 DIN439-04
310925	88	grinding disc carrier

Changes In The Spare Parts List:

VALID FROM VERSION NO.	ARTICLE NO.	DRAWING NO.	DESCRIPTION	COMMENT
1.2	311046	73	Grinding disc set FCG (replaces: grinding disc K32 large drill hole)	new, single grinding disc not available
1.3	100132	90	Hopper FCG 2,5kg grey coated	new in spare parts list